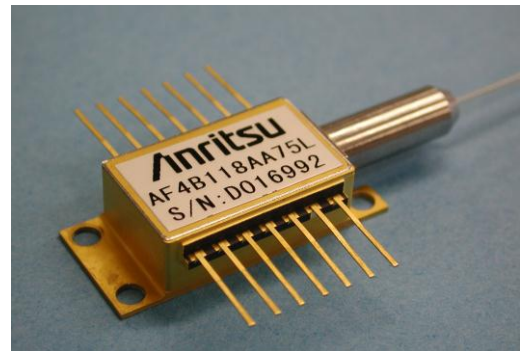


1.48 μ m LD Module AF4B SERIES type A Optical output power 120mW ~ 180mW

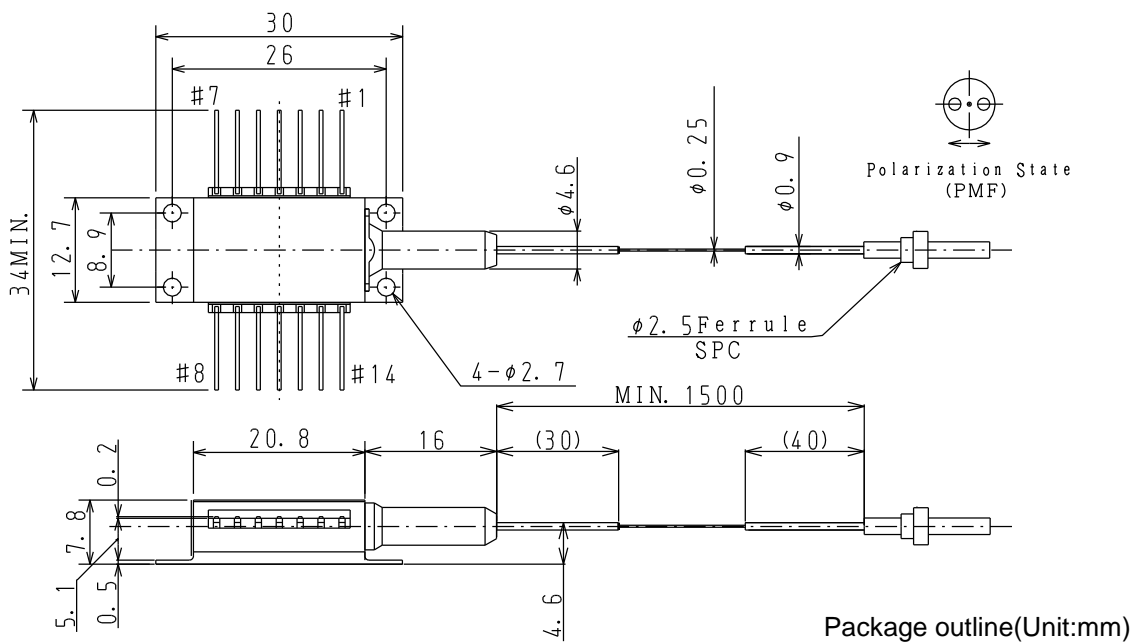
The AF4B SERIES type A is 1.48 μ m high power laser diode modules designed for Er doped fiber amplifier. The laser is packaged in a 14-pin butterfly package with optical isolator, monitor photodiode and thermo-electric cooler (TEC).

FEATURES

- ◆ Optical output :
 - 120mW ($I_F \leq 500\text{mA}$) AF4B112AA75L / AF4B112AD75L
 - 140mW ($I_F \leq 550\text{mA}$) AF4B114AA75L / AF4B114AD75L
 - 160mW ($I_F \leq 600\text{mA}$) AF4B116AA75L / AF4B116AD75L
 - 180mW ($I_F \leq 600\text{mA}$) AF4B118AA75L / AF4B118AD75L
- ◆ Fiber
 - SMF output (UV coating fiber: $\phi 0.25\text{mm}$)
 - PMF output (UV coating fiber: $\phi 0.25\text{mm}$)
- ◆ 14pin butterfly package
- ◆ Built-in optical isolator
- ◆ Internal monitor PD and TEC
- ◆ Operating case Temperature 75 $^{\circ}\text{C}$



DIMENSIONS



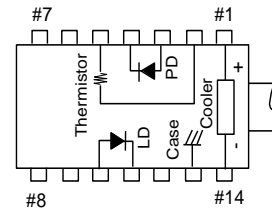
(Note) Polarization state of LD is aligned parallel to the slow axis.

■ ABSOLUTE MAXIMUM RATINGS

Item	Symbol	Rating	Unit
LD Forward Current	IF	1100	mA
LD Reverse Voltage	VR	2	V
PD Forward Current	IFD	10	mA
PD Reverse Voltage	VRD	20	V
Operating Case temperature	Tc	-20 to +75	°C
Storage Temperature	Tstg	-40 to +85	°C
Cooler Current	Ic	2	A

* Excess over the absolute maximum ratings may lead to damage.

■ TOP VIEW



■ Pin Configuration

No	FUNCTION	No	FUNCTION
1	Cooler anode	8	NC
2	Thermistor	9	NC
3	PD anode	10	LD anode
4	PD cathode	11	LD cathode
5	thermistor	12	NC
6	NC	13	Case
7	NC	14	Cooler cathode

■ OPTICAL AND ELECTRICAL CHARACTERISTICS (T_{LD}=25°C, T_C=25°C)

Item	Symbol	Test condition		AF4B112AA75L	AF4B114AA75L	AF4B116AA75L	AF4B118AA75L	Unit
				AF4B112AD75L	AF4B114AD75L	AF4B116AD75L	AF4B118AD75L	
Output power	Pf			120	140	160	180	mW
Forward Voltage	VF	At Output Power	Max.	2.5				V
Threshold Current	Ith		Max.	50				mA
Forward Current (BOL)	IF	At Output Power	Max.	500	550	600		mA
Center Wavelength	λ _c	At Output Power	Min.	1460				nm
			Typ.	1475				
			Max.	1490				
Spectral width	Δλ	At Output Power RMS (-20dB)	Typ.	4				nm
			Max.	8				
Monitor Current	Im	At Output Power VRD=5V	Min.	100				μA
			Typ.	400				
			Max.	800				
PD Dark Current	Id	VRD=5V	Max.	0.1				μA
Tracking Error	ΔPf	Im=const, Tc=-20~75°C	Max.	0.5				dB
Cooler Voltage	Vc	IF=*EOL, Tc=75°C	Max.	3.5				V
Cooler Current	Ic	IF=*EOL, Tc=75°C	Max.	1.2	1.4			A
Thermistor Resistance	Rth	T _{LD} =25°C B=3900±100K	Min.	9.5				KΩ
			Typ.	10				
			Max.	10.5				
Optical Isolation	Ro	T _{LD} =25°C	Typ.	30				dB
Extinction ratio ^{**}	Xp	At Output Power	Min.	17				dB

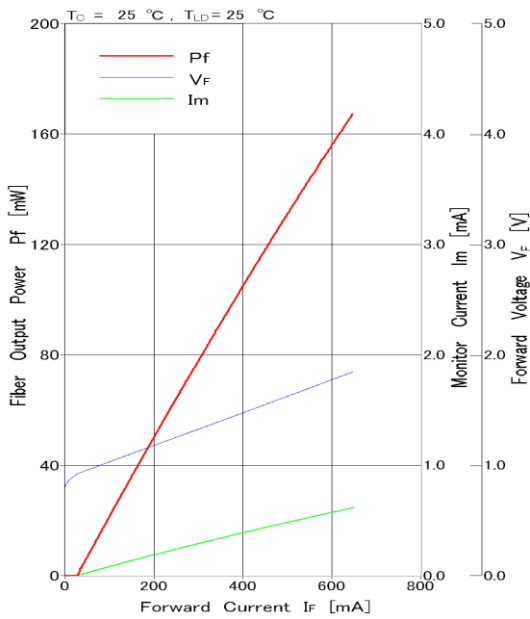
*EOL = BOL × 1.2

**2 only PMF

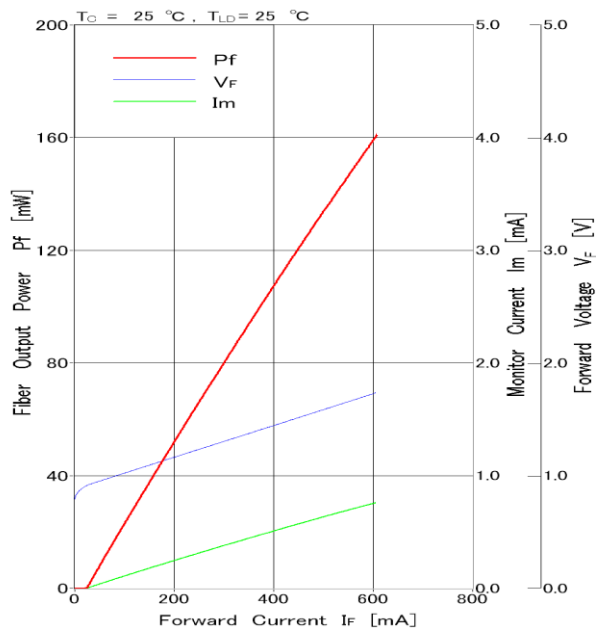
AF4B SERIES type A TYPICAL CHARACTERISTICS

Fiber output power / Monitor Current / Voltage-Forward current characteristics

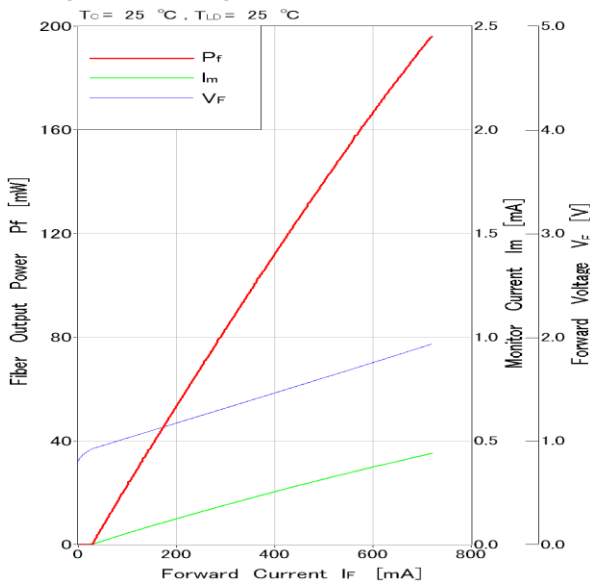
[AF4B112AA75L]



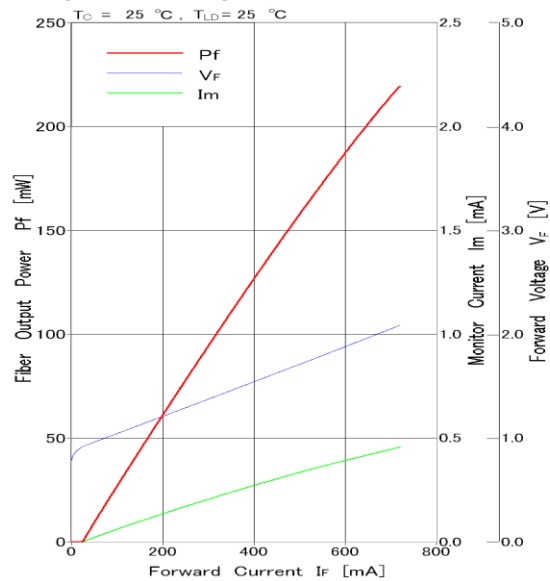
[AF4B114AA75L]



[AF4B116AA75L]

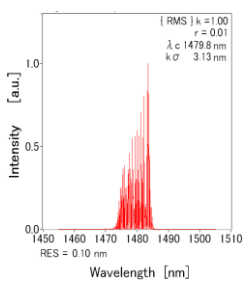


[AF4B118AA75L]

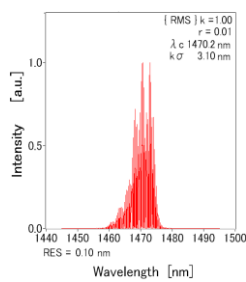


EMISSION SPECTRUM

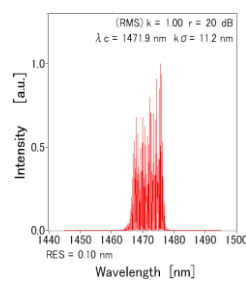
[AF4B112AA75L]



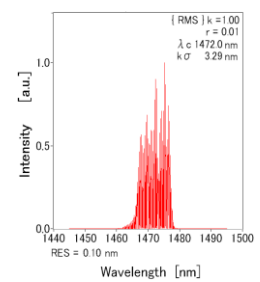
[AF4B114AA75L]



[AF4B116AA75L]

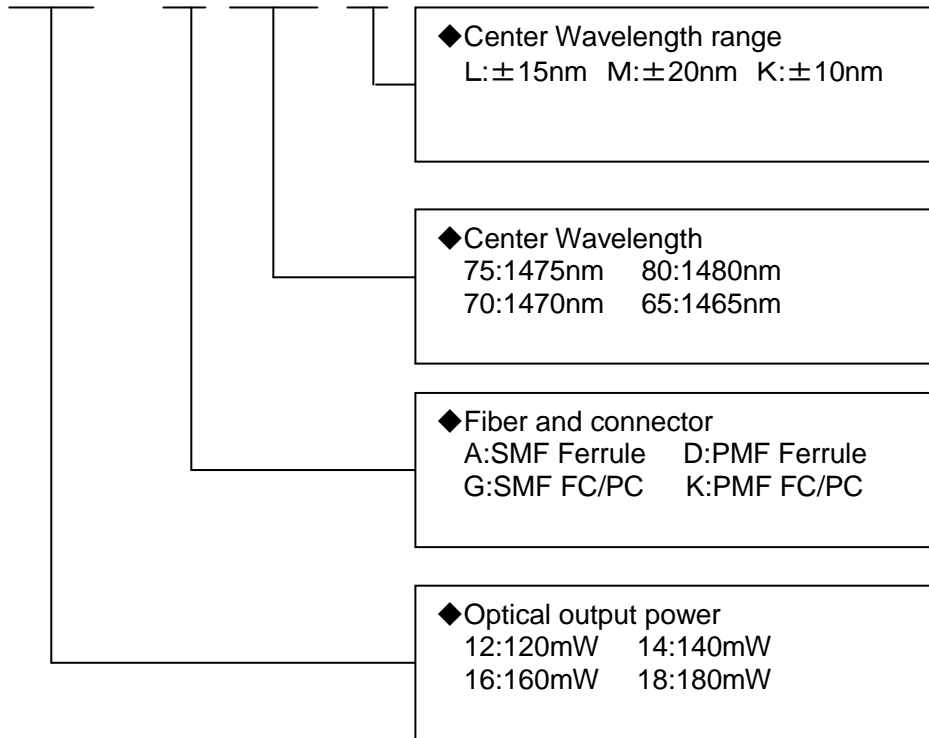


[AF4B118AA75L]

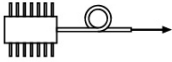


■ORDERING INFORMATION

MODEL : A F 4 B 1 # # A # # # #



SEMICONDUCTOR LASER



AVOID EXPOSURE
Invisible laser radiation is emitted from this aperture

Caution - use of controls or adjustments or performance of procedures other than those specified herein may result in hazardous radiation exposure.
This Product Complies with 21 CFR 1040.10 and 1040.11
Manufactured Anritsu Corp. 5-1-1 Onna, Atsugi-shi, Kanagawa, Japan



DANGER
INVISIBLE LASER RADIATION
AVOID DIRECT EXPOSURE TO BEAM
OUTPUT POWER 500mW
WAVELENGTH 1.40 to 1.50 μm
CLASS IIIb LASER PRODUCT

Anritsu Corporation reserves the right to change the design or specification of the product at any time without notice.

ANRITSU CORP. <http://www.anritsu.co.jp/>

Anritsu Corporation

5-1-1 Onna, Atsugi-shi, Kanagawa, 243-8555 Japan
Phone: +81-46-223-1111
Fax: +81-46-296-1238

• U.S.A.

Anritsu Company

1155 East Collins Blvd., Suite 100, Richardson,
TX 75081, U.S.A.
Toll Free: 1-800-267-4878
Phone: +1-972-644-1777
Fax: +1-972-671-1877

• Canada

Anritsu Electronics Ltd.

700 Silver Seven Road, Suite 120, Kanata,
Ontario K2V 1C3, Canada
Phone: +1-613-591-2003
Fax: +1-613-591-1006

• Brazil

Anritsu Eletrônica Ltda.

Praça Amadeu Amaral, 27 - 1 Andar
01327-010 - Bela Vista - São Paulo - SP - Brazil
Phone: +55-11-3283-2511
Fax: +55-11-3288-6940

• Mexico

Anritsu Company, S.A. de C.V.

Av. Ejército Nacional No. 579 Piso 9, Col. Granada
11520 México, D.F., México
Phone: +52-55-1101-2370
Fax: +52-55-5254-3147

• U.K.

Anritsu EMEA Ltd.

200 Capability Green, Luton, Bedfordshire, LU1 3LU, U.K.
Phone: +44-1582-433200
Fax: +44-1582-731303

• France

Anritsu S.A.

12 avenue du Québec, Bâtiment Iris 1- Silic 612,
91140 VILLEBON SUR YVETTE, France
Phone: +33-1-60-92-15-50
Fax: +33-1-64-46-10-65

• Germany

Anritsu GmbH

Nemetschek Haus, Konrad-Zuse-Platz 1
81829 München, Germany
Phone: +49-89-442308-0
Fax: +49-89-442308-55

• Italy

Anritsu S.r.l.

Via Elio Vittorini 129, 00144 Roma, Italy
Phone: +39-6-509-9711
Fax: +39-6-502-2425

• Sweden

Anritsu AB

Borgarfjordsgatan 13A, 164 40 KISTA, Sweden
Phone: +46-8-534-707-00
Fax: +46-8-534-707-30

• Finland

Anritsu AB

Teknobulevardi 3-5, FI-01530 VANTAA, Finland
Phone: +358-20-741-8100
Fax: +358-20-741-8111

• Denmark

Anritsu A/S (Service Assurance)

Anritsu AB (Test & Measurement)

Kay Fiskers Plads 9, 2300 Copenhagen S, Denmark
Phone: +45-7211-2200
Fax: +45-7211-2210

• Russia

Anritsu EMEA Ltd.

Representation Office in Russia

Tverskaya str. 16/2, bld. 1, 7th floor.
Russia, 125009, Moscow
Phone: +7-495-363-1694
Fax: +7-495-935-8962

• United Arab Emirates

Anritsu EMEA Ltd.

Dubai Liaison Office

P O Box 500413 - Dubai Internet City
Al Thuraya Building, Tower 1, Suit 701, 7th Floor
Dubai, United Arab Emirates
Phone: +971-4-3670352
Fax: +971-4-3688460

• Singapore

Anritsu Pte. Ltd.

60 Alexandra Terrace, #02-08, The Comtech (Lobby A)
Singapore 118502
Phone: +65-6282-2400
Fax: +65-6282-2533

• India

Anritsu Pte. Ltd.

India Branch Office

3rd Floor, Shri Lakshminarayan Niwas, #2726, 80 ft Road,
HAL 3rd Stage, Bangalore - 560 075, India
Phone: +91-80-4058-1300
Fax: +91-80-4058-1301

• P.R. China (Hong Kong)

Anritsu Company Ltd.

Units 4 & 5, 28th Floor, Greenfield Tower, Concordia Plaza,
No. 1 Science Museum Road, Tsim Sha Tsui East,
Kowloon, Hong Kong
Phone: +852-2301-4980
Fax: +852-2301-3545

• P.R. China (Beijing)

Anritsu Company Ltd.

Beijing Representative Office

Room 2008, Beijing Fortune Building,
No. 5, Dong-San-Huan Bei Road,
Chao-Yang District, Beijing 100004, P.R. China
Phone: +86-10-6590-9230
Fax: +86-10-6590-9235

• Korea

Anritsu Corporation, Ltd.

502, 5FL H-Square N B/D, 681
Sampyeong-dong, Bundang-gu, Seongnam-si,
Gyeonggi-do, 463-400 Korea
Phone: +82-31-696-7750
Fax: +82-31-696-7751

• Australia

Anritsu Pty. Ltd.

Unit 21/270 Ferntree Gully Road, Notting Hill,
Victoria 3168, Australia
Phone: +61-3-9558-8177
Fax: +61-3-9558-8255

• Taiwan

Anritsu Company Inc.

7F, No. 316, Sec. 1, NeiHu Rd., Taipei 114, Taiwan
Phone: +886-2-8751-1816
Fax: +886-2-8751-1817