

0.8 μ m SLD CAN AS8K215GY30M Light Output power 5mW

The AS8K215GY30M is SLD (Super-Luminescent Diode) module developed as incoherent light sources for various optical measurements including Optical Coherent Tomography (OCT). The device emits wide spectral incoherent light. High intensity in a narrow radiation angle makes high efficient optical coupling to a single mode Fiber.

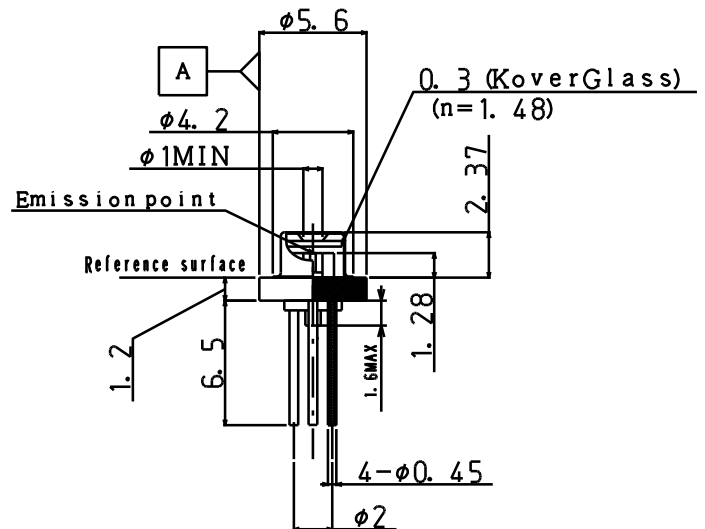
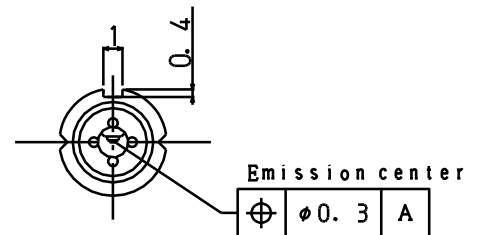
FEATURES

- Φ 5.6 CAN package
- High optical output $P_o = 5mW$
- Wide spectral half width $\Delta \lambda = 15nm$ (Typ.)
- Built-in monitor photo diode

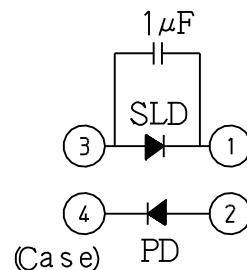
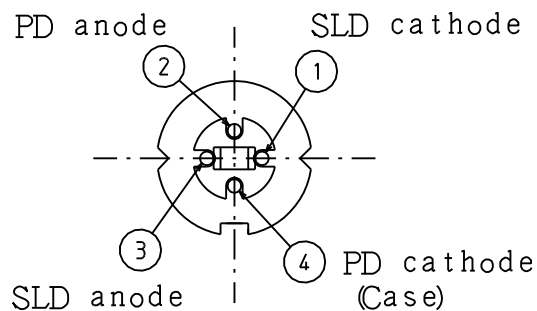
APPLICATIONS

- Optical sensor / Optical encoder
- Optical Coherent Tomography (OCT)
- Optical measurement
- Substitute for high power LED

DIMENSIONS



Package outline (Unit : mm)



Pin configuration

■ ABSOLUTE MAXIMUM RATINGS

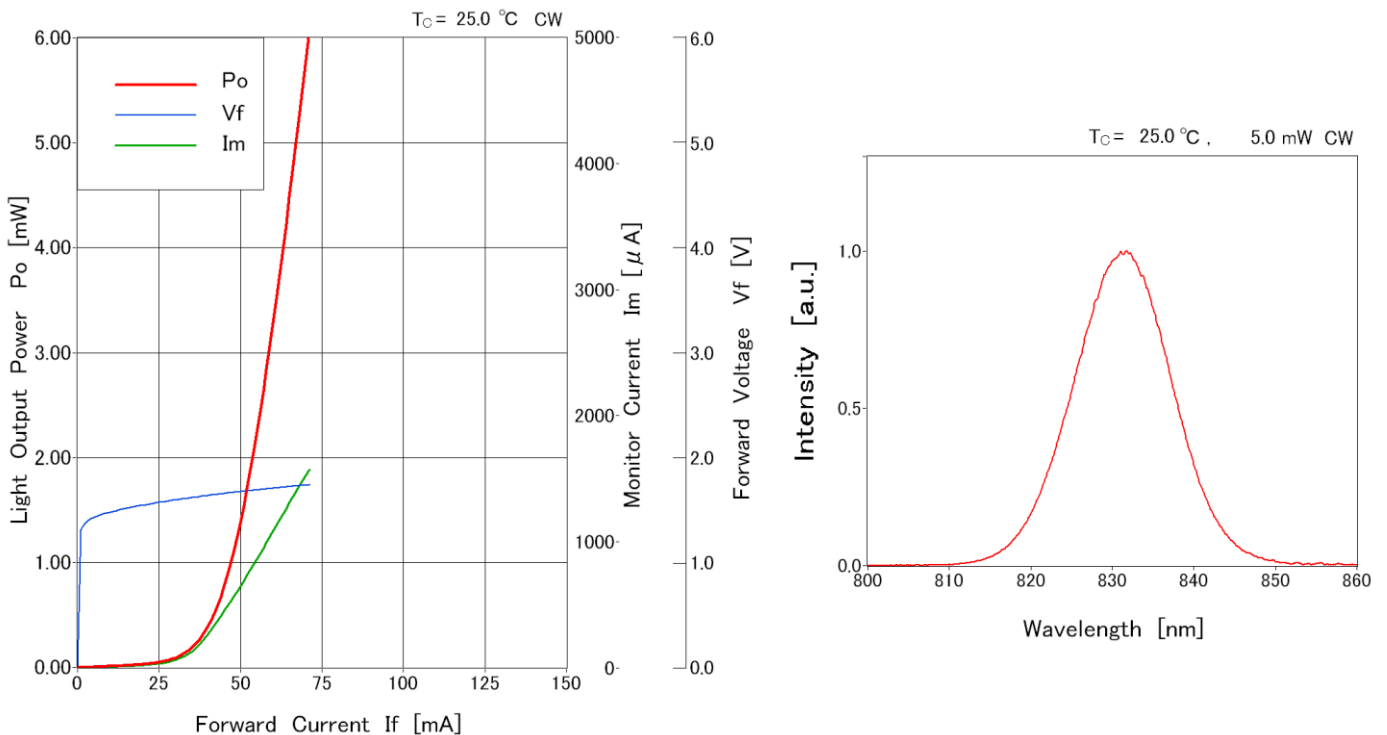
Item	Symbol	Rating	Unit
SLD Reverse Voltage	V_R	2.0	V
Optical Output Power	P_O	6	mW
SLD Forward Current	I_F	120	mA
PD Reverse Voltage	V_{RD}	15	V
Operating Case temperature	T_C	-20~+70	°C
Storage Temperature	T_{stg}	-40~+80	°C

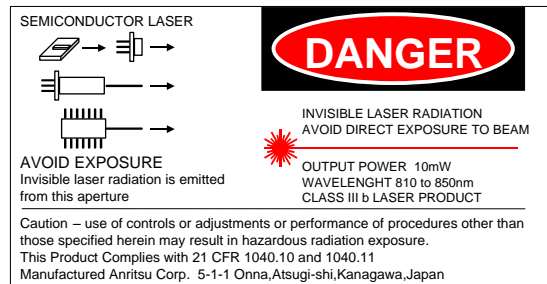
■ OPTICAL AND ELECTRICAL CHARACTERISTICS ($T_C=25^\circ\text{C}$)

Item	Symbol	Test Condition	Min.	Typ.	Max.	Unit
SLD Forward Current	I_F	$P_O=5\text{ mW}$		70	100	mA
SLD Forward Voltage	V_F	$P_O=5\text{ mW}$		2.0	2.5	V
Center Wavelength	λ_C	$P_O=5\text{ mW}$	810	830	850	nm
Spectral Half Width	$\Delta\lambda$	$P_O=5\text{ mW}$	10	15		nm
Spectral Modulation	M_d	$P_O=5\text{ mW}$		2	10	%
PD Monitor Current	I_m	$P_O=5\text{ mW}, V_{RD}=5\text{V}$	0.2	1.5	2.2	mA
Parallel Beam Divergence	$\theta_{//}$	$P_O=5\text{ mW}$		15		deg
Perpendicular Beam Divergence	θ_{\perp}	$P_O=5\text{ mW}$		45		deg

■ AS8E215GY30M TYPICAL CHARACTERISTICS

Light Output power / Monitor Current / Forward voltage – Forward current characteristics / Emission spectrum





Anritsu Corporation reserves the right to change the design or specification of the product at any time without notice.

ANRITSU CORP. <http://www.anritsu.co.jp/>

Anritsu Corporation

5-1-1 Onna, Atsugi-shi, Kanagawa, 243-8555 Japan
Phone: +81-46-223-1111
Fax: +81-46-296-1238

• U.S.A.

Anritsu Company

1155 East Collins Blvd., Suite 100, Richardson,
TX 75081, U.S.A.
Toll Free: 1-800-267-4878
Phone: +1-972-644-1777
Fax: +1-972-671-1877

• Canada

Anritsu Electronics Ltd.

700 Silver Seven Road, Suite 120, Kanata,
Ontario K2V 1C3, Canada
Phone: +1-613-591-2003
Fax: +1-613-591-1006

• Brazil

Anritsu Eletrônica Ltda.

Praça Amadeu Amaral, 27 - 1 Andar
01327-010 - Bela Vista - São Paulo - SP - Brazil
Phone: +55-11-3283-2511
Fax: +55-11-3288-6940

• Mexico

Anritsu Company, S.A. de C.V.

Av. Ejército Nacional No. 579 Piso 9, Col. Granada
11520 México, D.F., México
Phone: +52-55-1101-2370
Fax: +52-55-5254-3147

• U.K.

Anritsu EMEA Ltd.

200 Capability Green, Luton, Bedfordshire, LU1 3LU, U.K.
Phone: +44-1582-433200
Fax: +44-1582-731303

• France

Anritsu S.A.

12 avenue du Québec, Bâtiment Iris 1- Silic 612,
91140 VILLEBON SUR YVETTE, France
Phone: +33-1-60-92-15-50
Fax: +33-1-64-46-10-65

• Germany

Anritsu GmbH

Nemetschek Haus, Konrad-Zuse-Platz 1
81829 München, Germany
Phone: +49-89-442308-0
Fax: +49-89-442308-55

• Italy

Anritsu S.r.l.

Via Elio Vittorini 129, 00144 Roma, Italy
Phone: +39-6-509-9711
Fax: +39-6-502-2425

• Sweden

Anritsu AB

Borgarfjordsgatan 13A, 164 40 KISTA, Sweden
Phone: +46-8-534-707-00
Fax: +46-8-534-707-30

• Finland

Anritsu AB

Teknobulevardi 3-5, FI-01530 VANTAA, Finland
Phone: +358-20-741-8100
Fax: +358-20-741-8111

• Denmark

Anritsu A/S (Service Assurance)

Anritsu AB (Test & Measurement)
Kay Fiskers Plads 9, 2300 Copenhagen S, Denmark
Phone: +45-7211-2200
Fax: +45-7211-2210

• Russia

Anritsu EMEA Ltd.

Representation Office in Russia
Tverskaya str. 16/2, bld. 1, 7th floor.
Russia, 125009, Moscow
Phone: +7-495-363-1694
Fax: +7-495-935-8962

• United Arab Emirates

Anritsu EMEA Ltd.

Dubai Liaison Office
P O Box 500413 - Dubai Internet City
Al Thuraya Building, Tower 1, Suit 701, 7th Floor
Dubai, United Arab Emirates
Phone: +971-4-3670352
Fax: +971-4-3688460

• Singapore

Anritsu Pte. Ltd.

60 Alexandra Terrace, #02-08, The Comtech (Lobby A)
Singapore 118502
Phone: +65-6282-2400
Fax: +65-6282-2533

• India

Anritsu Pte. Ltd.

India Branch Office

3rd Floor, Shri Lakshminarayan Niwas, #2726, 80 ft Road,
HAL 3rd Stage, Bangalore - 560 075, India
Phone: +91-80-4058-1300
Fax: +91-80-4058-1301

• P.R. China (Hong Kong)

Anritsu Company Ltd.

Units 4 & 5, 28th Floor, Greenfield Tower, Concordia Plaza,
No. 1 Science Museum Road, Tsim Sha Tsui East,
Kowloon, Hong Kong
Phone: +852-2301-4980
Fax: +852-2301-3545

• P.R. China (Beijing)

Anritsu Company Ltd.

Beijing Representative Office

Room 2008, Beijing Fortune Building,
No. 5, Dong-San-Huan Bei Road,
Chao-Yang District, Beijing 100004, P.R. China
Phone: +86-10-6590-9230
Fax: +86-10-6590-9235

• Korea

Anritsu Corporation, Ltd.

502, 5FL H-Square N B/D, 681
Sampyeong-dong, Bundang-gu, Seongnam-si,
Gyeonggi-do, 463-400 Korea
Phone: +82-31-696-7750
Fax: +82-31-696-7751

• Australia

Anritsu Pty. Ltd.

Unit 21/270 Ferntree Gully Road, Notting Hill,
Victoria 3168, Australia
Phone: +61-3-9558-8177
Fax: +61-3-9558-8255

• Taiwan

Anritsu Company Inc.

7F, No. 316, Sec. 1, NeiHu Rd., Taipei 114, Taiwan
Phone: +886-2-8751-1816
Fax: +886-2-8751-1817