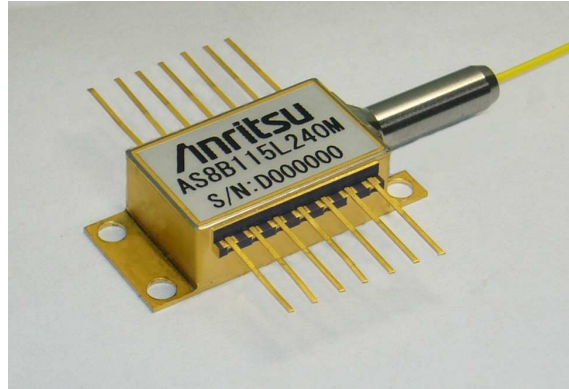


0.8 μ m SLD Module AS8B115L240M

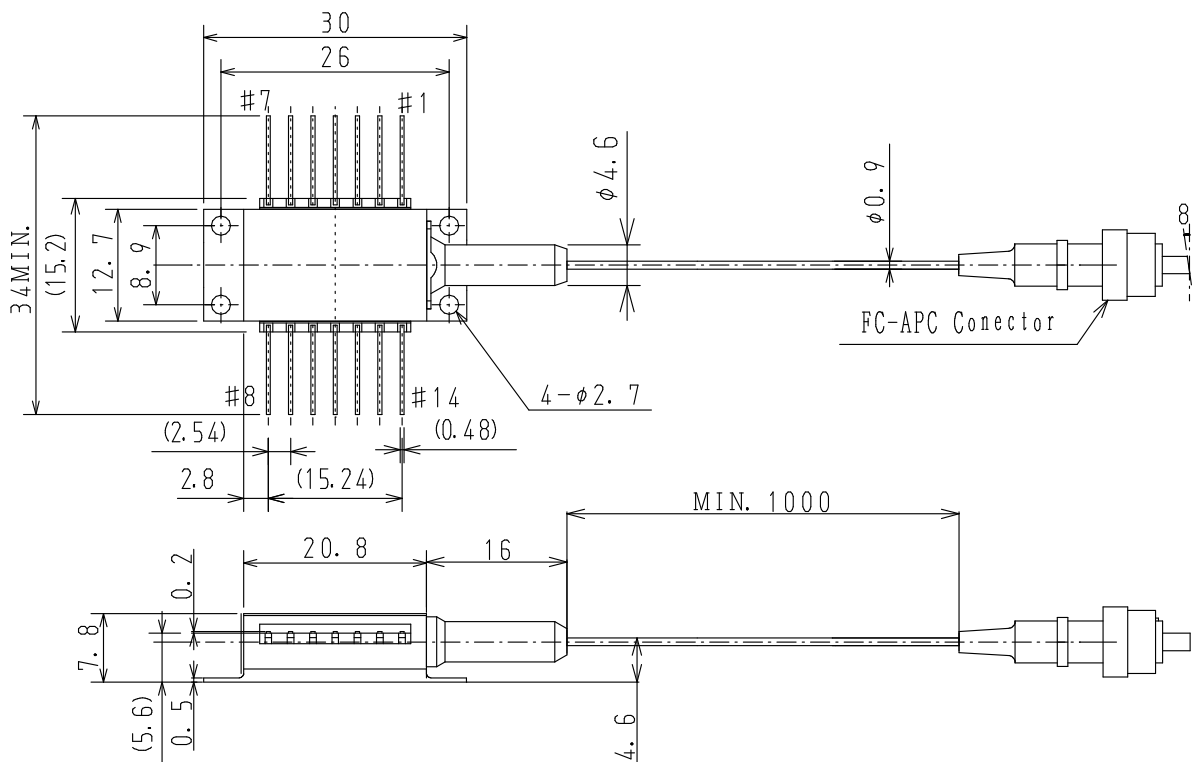
AS8B115L240M is SLD (Super-Luminescent Diode) module developed as incoherent light sources for various optical measurements including Optical Coherent Tomography (OCT).

◆ FEATURES

- Optical Output: 5mW ($I_F \leq 180\text{mA}$)
- Fiber type: SMF ($\phi 0.9\text{mm}$)
- Wide spectral half width (Typ. 50nm)
- FC-APC Connector
- 14pin butterfly package
- Internal monitor PD and TEC



◆ DIMENSIONS



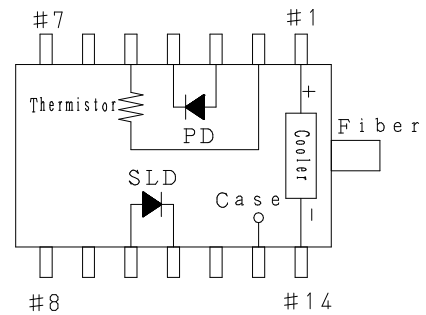
Package outline (Unit: mm)

◆ ABSOLUTE MAXIMUM RATINGS

Item	Symbol	Rating	Unit
Optical Output Power	P_f	7	mW
SLD Forward Current	I_F	220	mA
SLD Reverse Current	V_R	2.0	V
PD Reverse Voltage	V_{RD}	20	V
Optical Case Temperature	T_C	-20~+70	deg.C
Storage Temperature	T_{stg}	-40~+85	deg.C
Cooler Current	I_C	2.0	A

Excess over the absolute maximum ratings may lead to damage.

◆ TOP VIEW



◆ PIN CONFIGURATION

No.	FUNCTION	No.	FUNCTION
1	Cooler Anode	8	NC
2	Thermistor	9	NC
3	PD Anode	10	SLD Anode
4	PD Cathode	11	SLD Cathode
5	Thermistor	12	NC
6	NC	13	Case
7	NC	14	Cooler Cathode

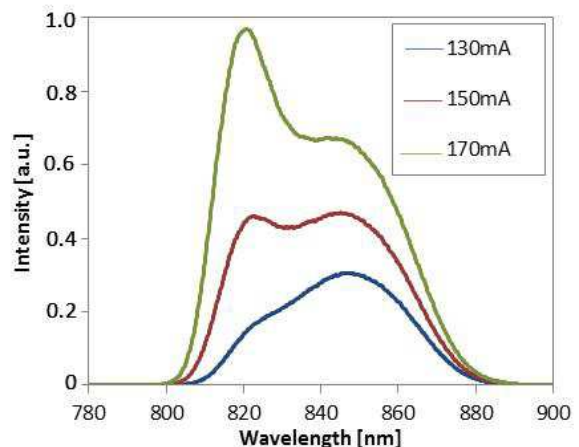
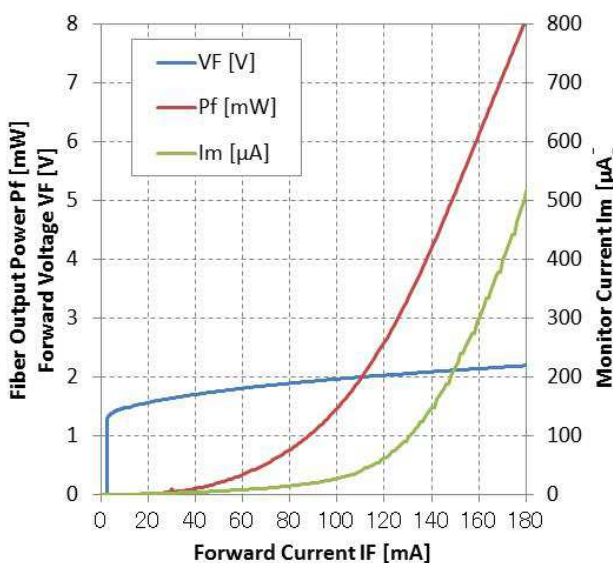
◆ OPTICAL AND ELECTRICAL CHARACTERISTICS $T_{SLD}=25\text{deg.C}$, $T_C=25\text{deg.C}$

Item	Symbol	Test Condition	Min.	Typ.	Max.	Unit
Forward Voltage	V_F	$P_f=5\text{mW}$		2.0	2.5	V
Forward Current (BOL)	I_F	$P_f=5\text{mW}$		150	180	mA
Center Wavelength	λ_C	$P_f=5\text{mW}$	820	840	860	nm
Spectral Half Width	$\Delta\lambda$	$P_f=5\text{mW}$	45	50		nm
Monitor Current	I_m	$P_f=5\text{mW}$, $V_{RD}=5\text{V}$	0.05		2.0	mA
Tracking Error	ΔP_f	$I_m=\text{const}$, $T_C=-20\sim+70\text{deg.C}$	-1.0		1.0	dB
Cooler Voltage	V_c	$I_F=*EOL$, $T_C=+70\text{deg.C}$			2.5	V
Cooler Current	I_c	$I_F=*EOL$, $T_C=+70\text{deg.C}$			1.0	A
Thermistor Resistance	R_{th}	$B=3900\pm 100\text{K}$	9.5	10	10.5	K Ω

*EOL=BOL \times 1.2

■ TYPICAL CHARACTERISTICS

◆ Fiber output power / Monitor Current / Voltage-Forward current characteristics / Emission Spectrum



Anritsu Corporation

5-1-1 Onna, Atsugi-shi, Kanagawa, 243-8555 Japan
Phone: +81-46-223-1111
Fax: +81-46-296-1238

•U.S.A.

Anritsu Company

1155 East Collins Blvd., Suite 100, Richardson,
TX 75081, U.S.A.
Toll Free: 1-800-267-4878
Phone: +1-972-644-1777
Fax: +1-972-671-1877

•Canada

Anritsu Electronics Ltd.

700 Silver Seven Road, Suite 120, Kanata,
Ontario K2V 1C3, Canada
Phone: +1-613-591-2003
Fax: +1-613-591-1008

•Brazil

Anritsu Eletrônica Ltda.

Praça Amadeu Amaral, 27 - 1 Andar
01327-010 - Bela Vista - São Paulo - SP - Brazil
Phone: +55-11-3283-2511
Fax: +55-11-3288-8940

•Mexico

Anritsu Company, S.A. de C.V.

Av. Ejército Nacional No. 579 Piso 9, Col. Granada
11520 México, D.F., México
Phone: +52-55-1101-2370
Fax: +52-55-5254-3147

•U.K.

Anritsu EMEA Ltd.

200 Capability Green, Luton, Bedfordshire, LU1 3LU, U.K.
Phone: +44-1582-433200
Fax: +44-1582-731303

•France

Anritsu S.A.

12 avenue du Québec, Bâtiment Iris 1- Silic 612,
91140 VILLEBON SUR YVETTE, France
Phone: +33-1-80-92-15-50
Fax: +33-1-84-46-10-85

•Germany

Anritsu GmbH

Nemetschek Haus, Konrad-Zuse-Platz 1
81829 München, Germany
Phone: +49-89-442308-0
Fax: +49-89-442308-55

•Italy

Anritsu S.r.l.

Via Elio Vittorini 129, 00144 Roma, Italy
Phone: +39-6-509-9711
Fax: +39-6-502-2425

•Sweden

Anritsu AB

Borgarfjordsgatan 13A, 164 40 KISTA, Sweden
Phone: +46-8-534-707-00
Fax: +46-8-534-707-30

•Finland

Anritsu AB

Teknobulevardi 3-5, FI-01530 VANTAA, Finland
Phone: +358-20-741-8100
Fax: +358-20-741-8111

•Denmark

Anritsu A/S (Service Assurance)

Anritsu AB (Test & Measurement)

Kay Fiskers Plads 9, 2300 Copenhagen S, Denmark
Phone: +45-7211-2200
Fax: +45-7211-2210

•Russia

Anritsu EMEA Ltd.

Representation Office in Russia

Tverskaya str. 16/2, bld. 1, 7th floor.
Russia, 125009, Moscow
Phone: +7-495-363-1694
Fax: +7-495-935-8962

•United Arab Emirates

Anritsu EMEA Ltd.

Dubai Liaison Office

P O Box 500413 - Dubai Internet City
Al Thuraya Building, Tower 1, Suit 701, 7th Floor
Dubai, United Arab Emirates
Phone: +971-4-3670352
Fax: +971-4-3688460

•Singapore

Anritsu Pte. Ltd.

60 Alexandra Terrace, #02-08, The Comtech (Lobby A)
Singapore 118502
Phone: +65-6282-2400
Fax: +65-6282-2533

•India

Anritsu Pte. Ltd.

India Branch Office

3rd Floor, Shri Lakshminarayan Niwas, #2726, 80 ft Road,
HAL 3rd Stage, Bangalore - 560 075, India
Phone: +91-80-4058-1300
Fax: +91-80-4058-1301

•P.R. China (Hong Kong)

Anritsu Company Ltd.

Units 4 & 5, 28th Floor, Greenfield Tower, Concordia Plaza,
No. 1 Science Museum Road, Tsim Sha Tsui East,
Kowloon, Hong Kong
Phone: +852-2301-4980
Fax: +852-2301-3545

•P.R. China (Beijing)

Anritsu Company Ltd.

Beijing Representative Office

Room 2008, Beijing Fortune Building,
No. 5, Dong-San-Huan Bei Road,
Chao-Yang District, Beijing 100004, P.R. China
Phone: +86-10-8590-9230
Fax: +86-10-8590-9235

•Korea

Anritsu Corporation, Ltd.

502, 5FL H-Square N B/D, 681
Sampyeong-dong, Bundang-gu, Seongnam-si,
Gyeonggi-do, 463-400 Korea
Phone: +82-31-896-7750
Fax: +82-31-896-7751

•Australia

Anritsu Pty. Ltd.

Unit 21/270 Ferntree Gully Road, Notting Hill,
Victoria 3168, Australia
Phone: +61-3-9558-8177
Fax: +61-3-9558-8255

•Taiwan

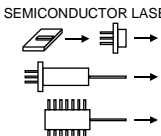

Anritsu Company Inc.

7F, No. 316, Sec. 1, NeiHu Rd., Taipei 114, Taiwan
Phone: +886-2-8751-1816
Fax: +886-2-8751-1817

Anritsu Corporation reserves the right to change the design or specification of the product at any time without notice.

ANRITSU CORP.

<http://www.anritsu.co.jp/>

<p>SEMICONDUCTOR LASER</p>  <p>AVOID EXPOSURE Invisible laser radiation is emitted from this aperture</p>	 <p>INVISIBLE LASER RADIATION AVOID DIRECT EXPOSURE TO BEAM</p> <p>OUTPUT POWER 10mW WAVELENGTH 810 to 850nm CLASS III b LASER PRODUCT</p>
<p>Caution – use of controls or adjustments or performance of procedures other than those specified herein may result in hazardous radiation exposure. This Product Complies with 21 CFR 1040.10 and 1040.11 Manufactured Anritsu Corp. 5-1-1 Onna, Atsugi-shi, Kanagawa, Japan</p>	