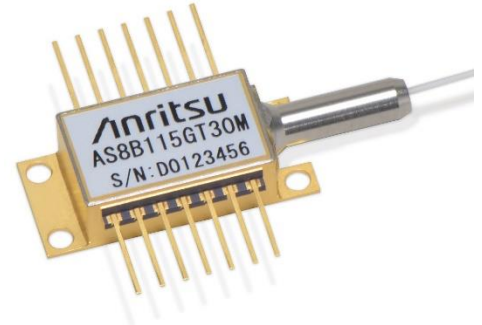


0.8 μ m SLD Module AS8B115GT30M

AS8B115GT30M is Super Luminescent Diode (SLD) modules which is developed for the light source of Optical Coherent Tomography (OCT) and the incoherent optical measurement equipment.

Features

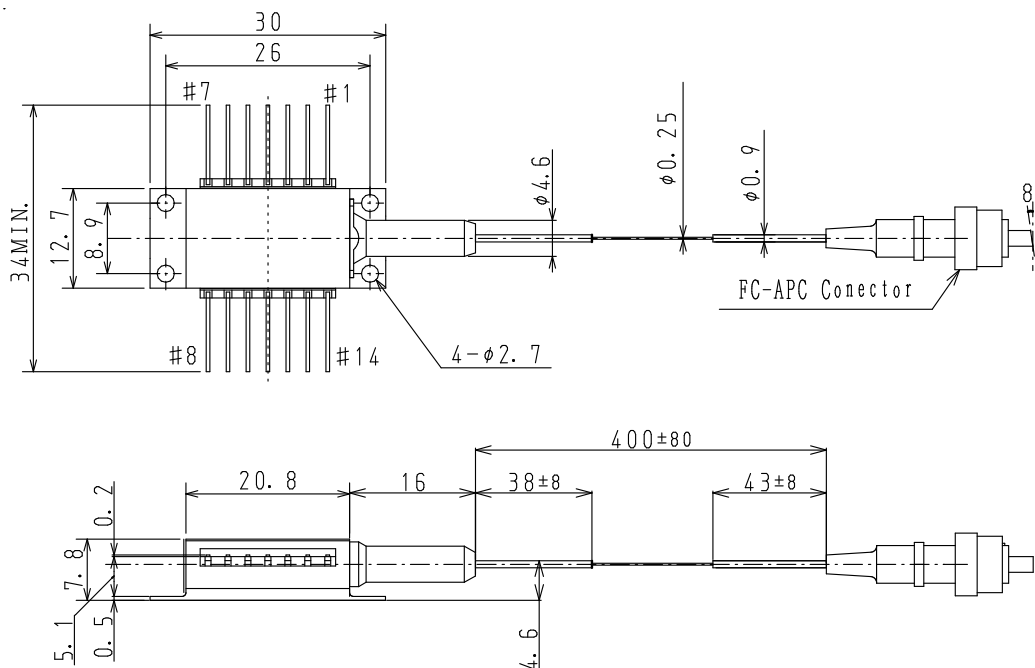
- Fiber output power: 5 mW (IF \leq 150 mA), $\Delta\lambda=14$ nm
- FC-APC connector
- 14pins butterfly package
- Monitor PD and TEC (Thermo-electric cooler) are built in package
- Low power consumption



Application

- Optical coherent tomography (OCT)
- Light source of optical sensing system

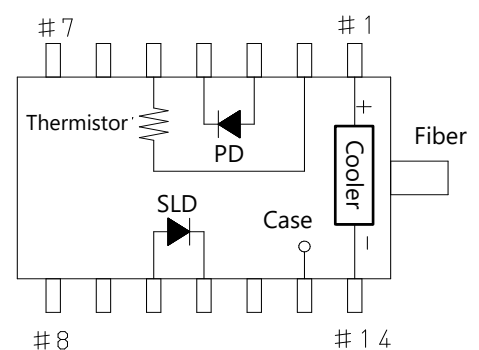
Dimensions (Unit : mm)



Pin Configuration

No.	FUNCTION	No.	FUNCTION
1	Cooler anode	8	NC
2	Thermistor	9	NC
3	PD Anode	10	SLD Anode
4	PD Cathode	11	SLD Cathode
5	Thermistor	12	NC
6	NC	13	Case ground
7	NC	14	Cooler cathode

TOP VIEW



Absolute Maximum Ratings

Item	Symbol	Rating	Unit
Optical output power	P_f	6.0	mW
SLD Forward current	I_f	220	mA
SLD Reverse voltage	V_R	2.0	V
PD Reverse voltage	V_{RD}	20	V
Operation case temperature	T_C	-20 to 70	°C
Storage temperature	T_{stg}	-40 to 85	°C
TEC current	I_C	2.0	A

Note : Exceeding the absolute maximum ratings may cause a failure.

Optical and Electrical Characteristics ($T_{SLD}=25^{\circ}C$, $T_C=25^{\circ}C$)

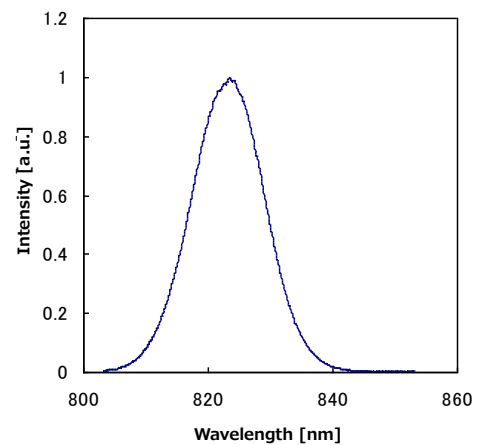
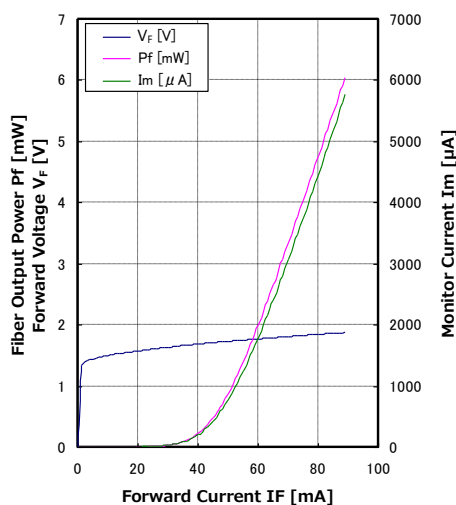
Item	Symbol	Condition	Min.	Typ.	Max.	Unit
Forward voltage	V_F	$P_f = 5 \text{ mW}$	-	2.0	2.5	V
Forward current (BOL)	I_f	$P_f = 5 \text{ mW}$	-	-	150	mA
Center wavelength	λ_C	$P_f = 5 \text{ mW}$	810	830	850	nm
Spectral half width	$\Delta\lambda$	$P_f = 5 \text{ mW}$	10	14	-	nm
Monitor current	I_m	$P_f = 5 \text{ mW}$, $V_{RD}=5 \text{ V}$	0.2	-	-	mA
Tracking error	ΔP_f	$I_m = \text{const}$, $T_C = -20 \text{ to } 70^{\circ}C$	-1.0	-	1.0	dB
Cooler voltage	V_C	$I_f = *EOL$, $T_C = 70^{\circ}C$	-	-	2.5	V
Cooler current	I_C	$I_f = *EOL$, $T_C = 70^{\circ}C$	-	-	1.0	A
Thermistor resistance	R_{th}	$T_{LD}=25^{\circ}C$, $B=3900 \pm 100K$	9.5	10.0	10.5	k Ω

Note : BOL : Begin of Life / EOL : End of Life *EOL=BOL \times 1.2

Standard Performance

Output power (P_f) / Forward voltage (V_f) / Monitor current (I_m)

Spectrum





CAUTION : Handle the fiber of the enclosed device(s) with extreme care ; glass fiber is subject to breakage if mishandled and permanent damage to the device may result. Do not pull the device by the fiber or protective sleeve.
Do not coil the fiber into a loop of than 30 mm in radius.

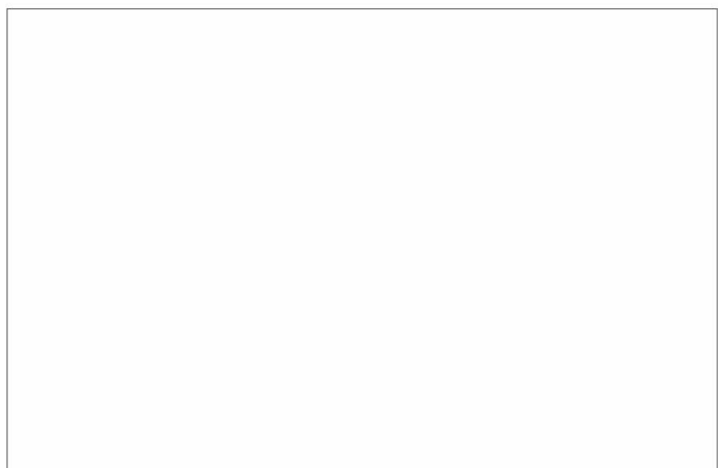
<p>SEMICONDUCTOR LASER</p> <p>AVOID EXPOSURE Invisible laser radiation is emitted from this aperture</p>	<p>INVISIBLE LASER RADIATION AVOID EYE OR SKIN EXPOSURE TO DIRECT OR SCATTERED RADIATION</p> <p>OUTPUT POWER 500mW WAVELENGTH 0.80 to 1.80 μm CLASS IIIb LASER PRODUCT</p>
<p>Caution - use of controls or adjustments or performance of procedures other than those specified herein may result in hazardous radiation exposure. This Product Complies with 21 CFR 1040.10 and 1040.11 Manufactured Anritsu Corp. 5-1-1 Onna, Atsugi-shi, Kanagawa, Japan</p>	

ANRITSU CORPORATION
SENSING & DEVICES COMPANY
OVERSEAS SALES DEPT

Tel +81 46 296 6783 fax +81 46 225 8390
5-1-1 Onna, Atsugi-shi, Kanagawa
243-8555 Japan

URL: <https://www.anritsu.com/sensing-devices>

Please contact following local office for the quotation and order.
Anritsu Corporation reserves the right to change the content of the catalog at any time without notice.



This product and its manuals may require an Export License / Approval by the Government of the product's country of origin for re-export from your country. Before re-exporting the product or manuals, please contact us to confirm whether they are export-controlled items or not. When you dispose of export-controlled items, the products / manuals need to be broken / shredded so as not to be unlawfully used for military purpose.