

28 Gbit/s 4Tap Emphasis Test Solution

MP1825B 4Tap Emphasis

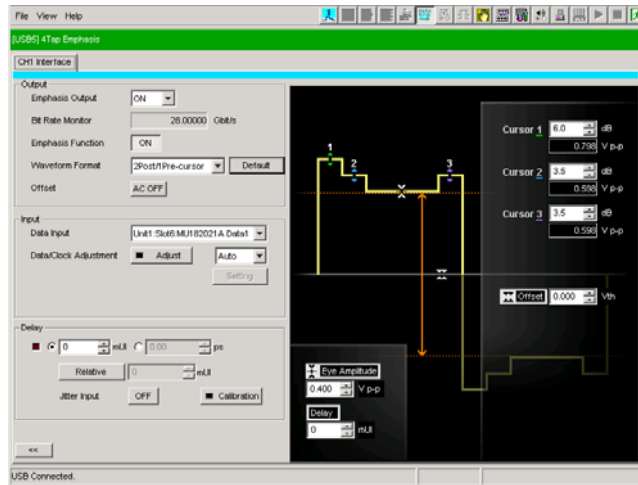
■ Features

- Pre-emphasis up to 4 taps
- Support two range of bit rates, 14.05 Gbit/s or 28.1 Gbit/s
- Jitter transparent
- Compact remote head
- Use as front end for other BERT or customers' devices



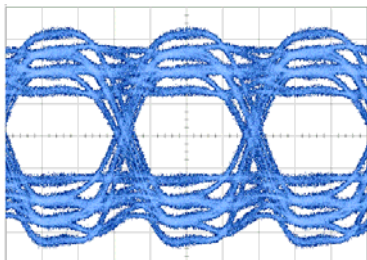
■ Applications

- High speed interconnection
CEI-28G-VSR, Infiniband 26G-IB-EDR, PCI express, SAS, SATA, FB-DIMM, USB3.0 and Display Port

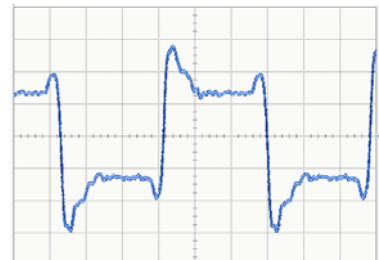


MP1825B 4Tap Emphasis Setting Screen

■ Typical Waveforms

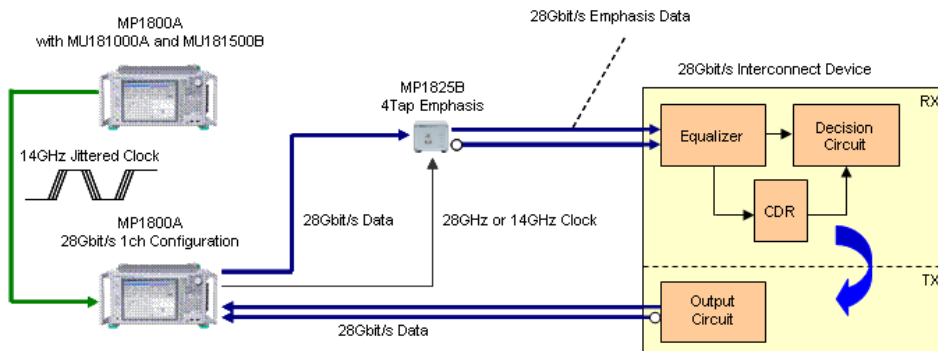


Bit rate: 28.01Gbit/s, Eye Amplitude: 0.5p-p,
Test Pattern: PRBS31

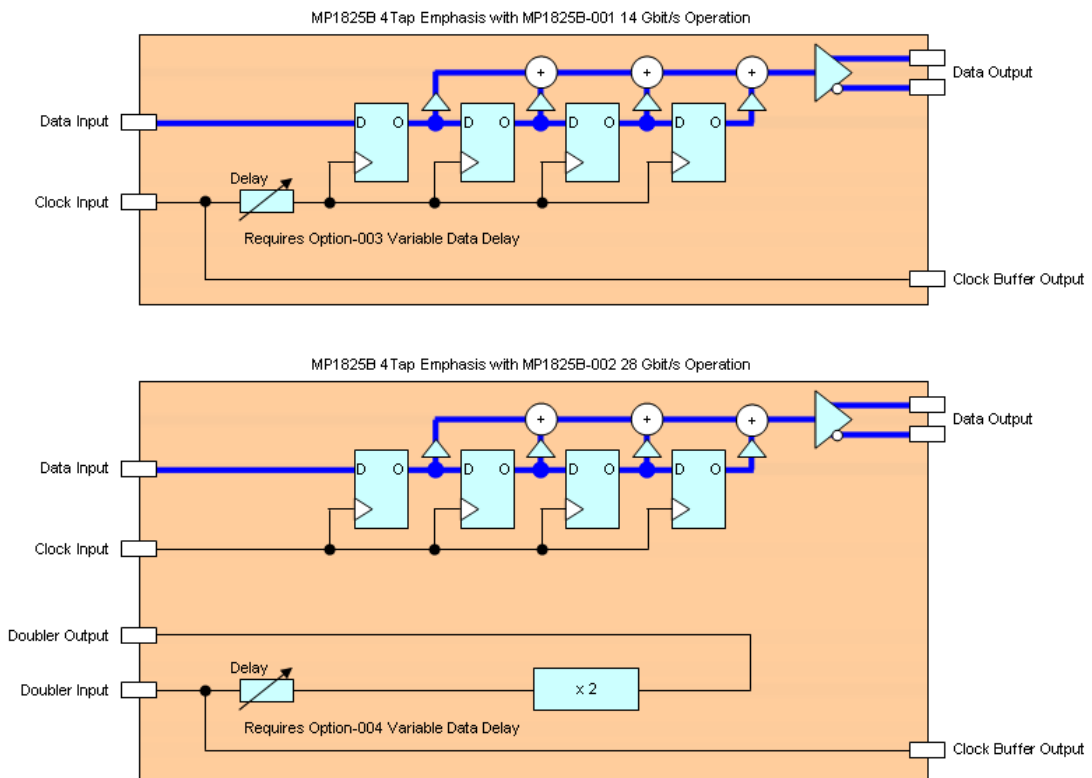


Bit rate: 28.01Gbit/s, Eye Amplitude: 0.5p-p,
Test Pattern: FFFF0000

■ Typical Configurations



■ Block Diagrams



■ Ordering Information

Model Number	Model Name
MP1825B (Note)	- Main Frame - 4Tap Emphasis
	- Options -
MP1825B-001	14 Gbit/s Operation
MP1825B-002	28 Gbit/s Operation
MP1825B-003	14 Gbit/s Variable Data Delay
MP1825B-004	28 Gbit/s Variable Data Delay
MP1825B-103	14 Gbit/s Variable Data Delay Retrofit
MP1825B-104	28 Gbit/s Variable Data Delay Retrofit

(Note.) Select one option, MP1825B-001 or MP1825B-002