

# 28 Gbit/s Jitter Tolerance Test Solution

## MU181500B

Jitter Modulation Source

### ■ Features

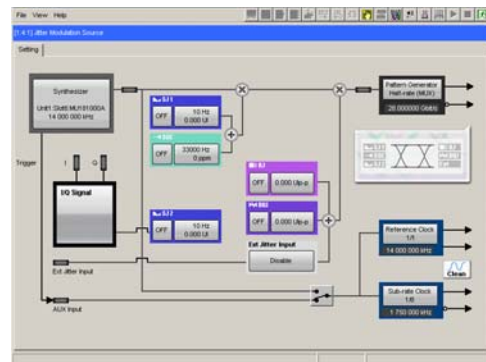
- Support jitter tolerance testing solution up to 28.1 Gbit/s
  - SJ: Sinusoidal Jitter
  - RJ: Random Jitter
  - BUJ: Bounded Uncorrelated Jitter
  - SSC: Spread Spectrum Clock
- Low jittered output signal and excellent jitter transparent capability support high accuracy jitter tolerance testing
- Easy upgrade from your MP1800A because of plug-in module

### ■ Applications

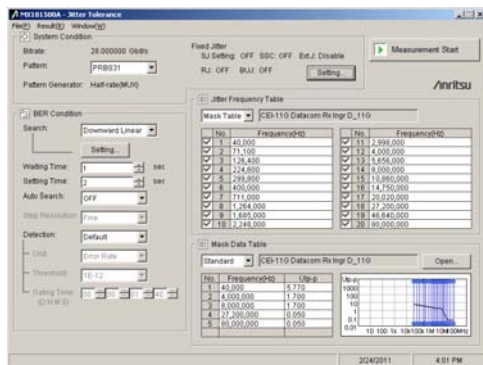
- 28Gbit/s high speed interconnection such as CEI-25G, CEI-28G-VSR
- 100GBASE-LR4/ER4
- Infiniband 26G-IB-EDR
- 16G/32G Fibre Channel
- PCI express, SAS, SATA, FB-DIMM, USB3.0 and Display Port



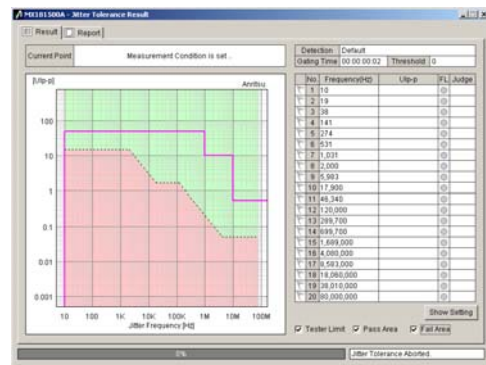
MU181500B Jitter Modulation Source



MU181500B Jitter Modulation Source Setting Screen

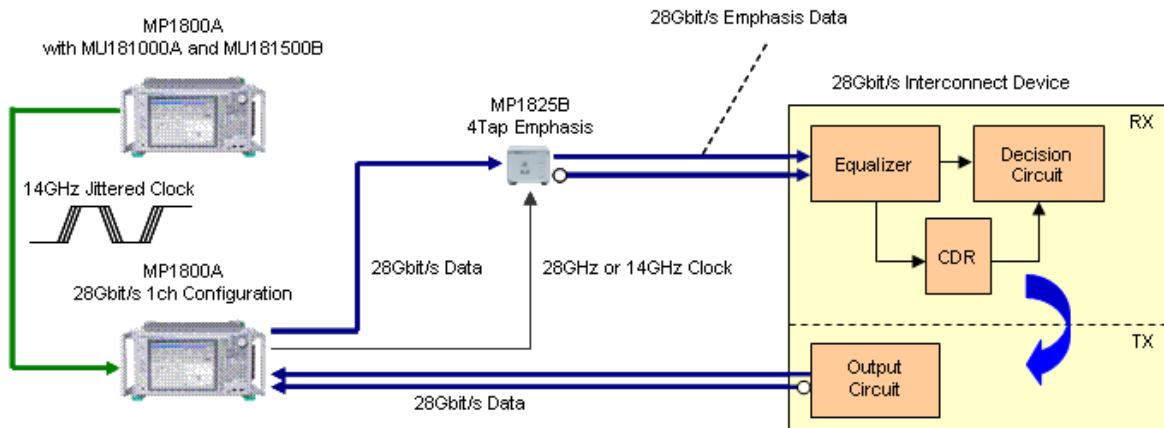


MX181500A Jitter/Noise Tolerance Test Software Setting Screen

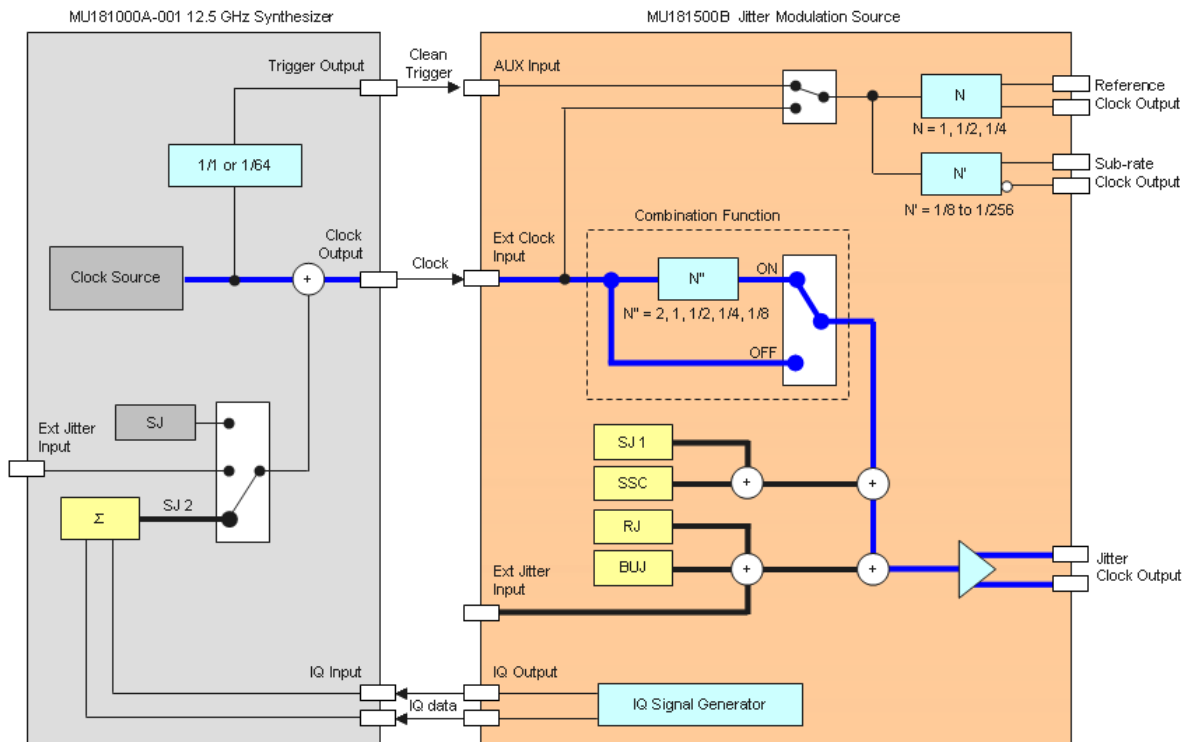


MX181500A Jitter/Noise Tolerance Test Software Result Screen

## ■ Typical Configurations



## ■ Block Diagrams



## ■ Ordering Information

| Model Number | Model Name   |
|--------------|--|
| MU181500B    | - Plug-in Module-<br>Jitter Modulation Source        |
| MX181500A    | - Software -<br>Jitter/Noise Tolerance Test Software |