

For 10G-Band Optical Module Eye Mask

MP2100A-007 Single-Channel Electrical BERT, Optical/Single-Ended Electrical Scope

MP2100A-086/MP2102A-086 LPF (H) for Multi 10G

MP2100A BERTWave Series

Features

●High-Sensitivity Input

Improves Mask test sensitivity*1 to -14 dBm*2 (-9 dBm Mask test sensitivity using MP2100A + Opt-003 + Opt-084). **Supports evaluation of low-output-power optical modules.**

*1: Mask test sensitivity; Range with $\leq 1/2$ variation from Mask Margin with optical power of -5 dBm using Anritsu reference light source

*2: With Option 007 and 086

●Bit Rate

One filter supports Eye pattern and Eye mask tests from 9.9 to 10.7 Gbit/s.

Supported Applications

- 10GbE, 10G PON, 40GbE (10G x 4), 100GbE (10G x 10)
- SFP+, XFP, Active Optical Cable (AOC), QSFP, CFP, CXP

Outline

●Opt-007

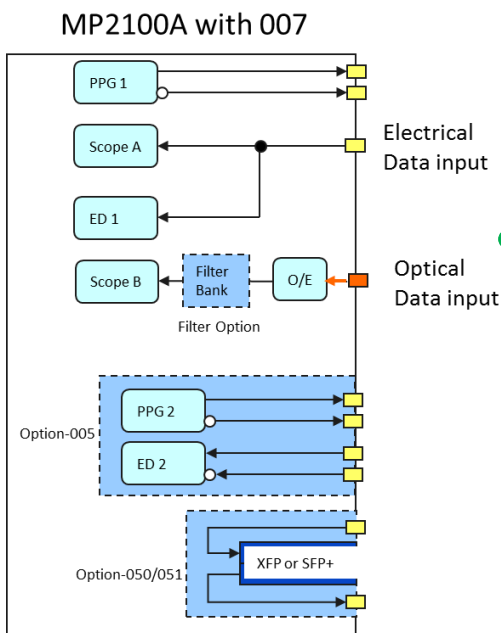
Improved mask test sensitivity. Supports BER, Eye pattern and Eye mask tests using electrical signals plus Eye pattern and Eye mask using optical signals.

Limitations: Optical data input is for optical Eye pattern and Eye mask measurements. Measurement of optical BER is supported by installing optical module in the XFP (Opt-050) or SFP+ slots (Opt-051). Does not support Clock Recovery function of optical signal.

●Opt-086

Filter option for 9.9 to 10.7 Gbit/s

Limitations: This option cannot be installed simultaneously with the MP2100A-084 and MP2102A-084 options.



Block diagram

Typical Standards

Item	Standard
Mask test sensitivity	MP2100A: -14 dBm (typ.) (with Opt-007 and Opt-086) MP2102A: -14 dBm (typ.) (with Opt-086 and without Opt-055)
Wavelength	750 to 1650 nm
Maximum input power	+2 dBm (Overload peak power)

What is MP2100A BERTWave?

All-in-One, 180-mm Deep Cabinet Supporting Simultaneous BER Tests and Eye Pattern Analysis

MP2100A BERTWave

BERT

Eye/Pulse Scope

MP2101A BERTWave PE

BERT

MP2102A BERTWave SS

Eye/Pulse Scope



Three configurations: BERT + Scope, BERT only, and Scope only

- All-in-one BER and Eye Pattern measurements
- Four times faster remote control
- Ten times better BER measurement time resolution of 10 ms
- 2-channel simultaneous independent BER measurements
- High-speed sampling
- Auto Mask Margin tests
- Stable Extension Ratio/Mask Margin measurements using low-randomness LPF

For detailed information about the MP210xA BERTWave series, visit:

<http://www.anritsu.com/en-US/Products-Solutions/Products/MP2100A.aspx>

Ordering Information

Model	Name
MP2100A	BERTWave
MP2100A-007	Single-Channel Electrical BERT, Optical/Single-Ended Electrical Scope
MP2100A-086	LPF (H) for Multi 10G
MP2100A-107	Single-channel Electrical BERT, Optical/Single-Ended Electrical Scope Retrofit*1
MP2100A-186	LPF (H) for Multi 10 G Retrofit*2
MP2102A	BERTWave SS
MP2102A-086	LPF (H) for Multi 10G
MP2102A-186	LPF (H) for Multi 10G Retrofit*2

Model	Name
MX210001A	Jitter Analysis Software
MX210002A	Transmission Analysis Software

*1: Supported when Opt-003 installed

*2: Refer to the MP2100A series catalog for details.