

# MS9740A Remote Tools Package

## MS9740A

Optical Spectrum Analyzer

Development and manufacturing of optical devices and modules generally requires control of measuring instruments using remote commands from an external PC. The MS9740A Remote Tools Package supports easy creation of remote command sequences.

### Easy Remote Command Sequence Creation and Editing

The Remote Tools Package includes the quick-start guide, sample programs, C# class library, and LabVIEW Driver.

This package can be downloaded from the Anritsu site.

Sample Programs: MS9740A control program created using Visual Basic

C# Class Library: DLL using NET framework

#### Anritsu MS9740A Website

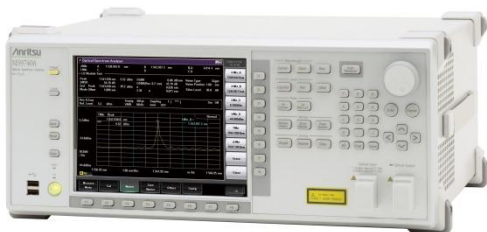
<http://www.anritsu.com/en-AU/Downloads/Manuals/Quick-Start-Guide/DWL10293.aspx>

#### Remote Command Languages

- Native
- SCPI

#### Remote Tools

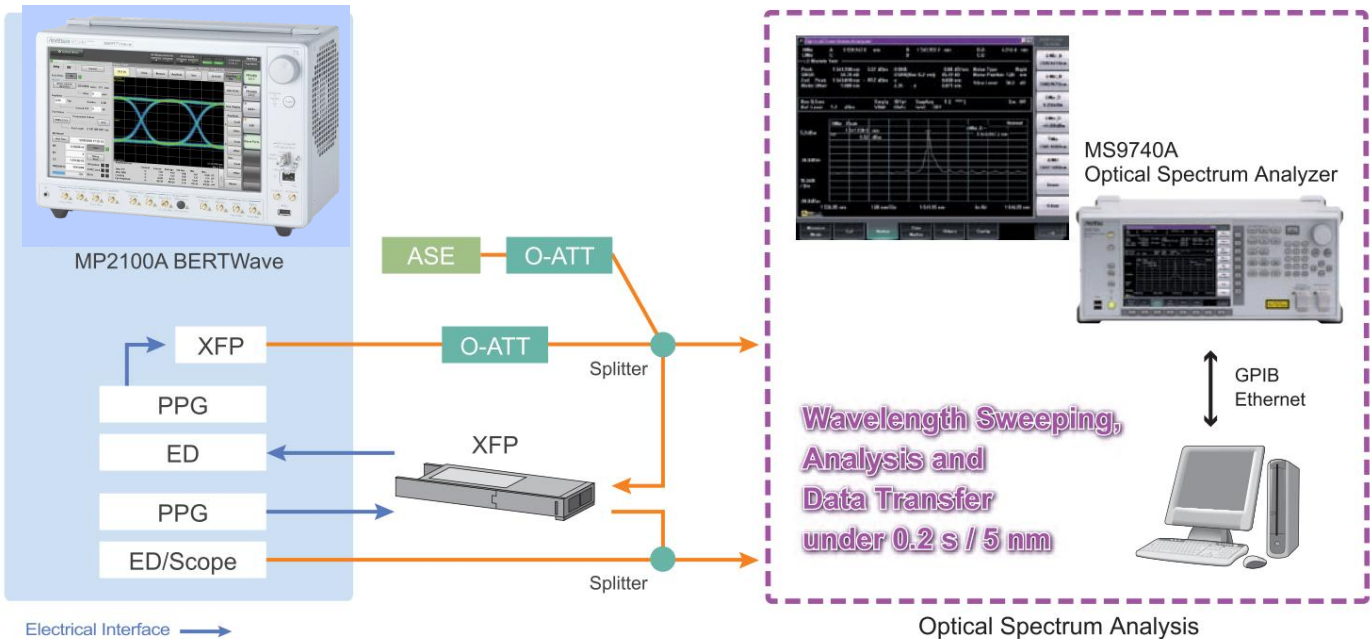
- Sample Programs
- C# Class Library
- LabVIEW Driver



#### MS9740A Remote Interfaces

- GPIB
- Ethernet

# Efficient Control of Multiple Equipment



Manufacturing and development of optical devices and modules commonly uses simultaneous control by remote command of both an optical spectrum analyzer as well as a BERT and sampling oscilloscope.

The MS9740A supports shared SCPI commands and additionally, the Remote Tools Package C# class libraries make it easy to create command sequences for simultaneous control an OSA, BERT, and sampling oscilloscope, as well as for supporting MP2100A BERTWave commands.

## Ordering Information

Specify the model, name and quantity when ordering. (The order name and actual equipment name may differ sometimes.)

Model	Name
<b>Main Frame</b>	
MS9740A	Optical Spectrum Analyzer
<b>Options</b>	
MS9740A-001	GPIB Interface
MS9740A-002	Light Source For Wavelength Calibration
MS9740A-009	Multimode Fiber Input (50/62.5 $\mu\text{m}$ )

Model	Name
<b>Optical Connector Options</b>	
MS9740A-037	FC Connector
MS9740A-038	ST Connector
MS9740A-039	DIN 47256 Connector
MS9740A-040	SC Connector