



PERIPHERAL EQUIPMENT




Coaxial Cords, Adapters	737
Power Cord Plugs	738
F-Series Cabinets	739

Coaxial Cords, Adapters








List of Principal Coaxial Cables

Coaxial Cable	Characteristic Impedance	Nominal Attenuation (10 MHz)	Nominal Capacitance	Finished Diameter	Mass (g/m)	Remarks
3C-2V	75 ±3Ω (10 MHz)	0.042 dB/m (0.013 dB/m, 1 MHz)	67 pF/m	5.8 mm	48	Single outer conductor, PVC covered
3C-2W				6.5 mm	75	Double outer conductor, PVC covered
3C-2Z				3.8 mm	28	Single outer conductor, No PVC covered
3C-2T				7.4 mm	110	Triple outer conductor, PVC covered
3C-2WS	75 ±1Ω (10 MHz)	0.048 dB/m	100 pF/m	6.6 mm	76	Double outer conductor, PVC covered
5C-2V	75 ±3Ω (10 MHz)	0.027 dB/m		7.8 mm	75	Single outer conductor, PVC covered
5C-2W				8.5 mm	110	Double outer conductor, PVC covered
5C-2Z				5.8 mm	48	Single outer conductor, No PVC covered
3D-2W			0.047 dB/m	6.4 mm	75	Double outer conductor, PVC covered
5D-2V	50 ±2Ω (10 MHz)	0.031 dB/m	93.5 pF/m	7.5 mm	85	Single outer conductor, PVC covered
5D-2W				8.2 mm	120	Double outer conductor, PVC covered
RG-55/U	53.5 ±2.5Ω (4 MHz)	0.0328 dB/m	93.5 pF/m	5.25 mm	55	Double outer conductor, PE covered
RG-58/U				50 ±2Ω (10 MHz)	0.0427 dB/m	4.95 mm

Connecting Cords

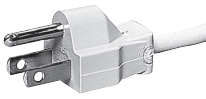

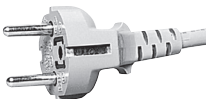
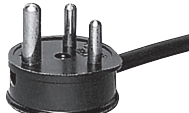

J0576B/D	J0133A	J0025A
 <p>Coaxial cord: 1 m (J0576B) 2 m (J0576D) N-P · 5D-2W · N-P Impedance: 50Ω</p>	 <p>Coaxial cord: 1 m (J0133A) 3CA-P2 · RG-58A/U · 3CA-P2 Impedance: 50Ω</p>	 <p>Coaxial cord: 1 m (J0025A) S-5DWP · 5D-2W · S-5DWP Impedance: 50Ω</p>

Conversion Connectors

J0038	J0039	J0040	J0044
 <p>Coaxial adapter N-P · N-P Impedance: 50Ω</p>	 <p>Coaxial adapter N-J · N-J Impedance: 50Ω</p>	 <p>Coaxial adapter N-P · BNC-J Impedance: 50Ω</p>	 <p>Coaxial adapter N-J · BNC-J Impedance: 50Ω</p>
 <p>Coaxial adapter N-J · BNC-P Impedance: 50Ω</p>	 <p>Coaxial adapter NC-P · BNC-J Impedance: 75Ω</p>	 <p>Coaxial adapter SP-3CP · 3C-J (BNC-J) Impedance: 75Ω RoHS non-compliant</p>	

Power Cord Plugs

Power Cord Plugs for Export

Plug Type	A2	B4	C7	P4	S3
Safety Standard Compliance	UL, CSA	BS	VDE, OVE, KEMA, SEMKO, NEMKO, FIMCO, DEMCO, CEBEC	—	SAA
Rating	125 V	250 V	250 V	250 V	250 V
Shape*					
Main Countries/Regions	U.S.A. Canada Taiwan	U.K. Singapore Malaysia Hong Kong South Africa	Europe Korea	India Sri Lanka	Australia New Zealand China

The supplied accessory power cord depends on the national specifications and instrument rating. Contact Anritsu when ordering extra cords.

*: This table shows the plug shape, but the actual power cord may be different from that shown.

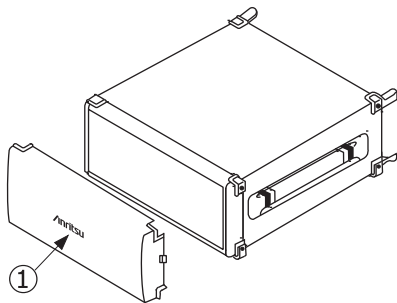
Accessories for F-Series Cabinets

Anritsu's F-series cabinet was designed using basic dimensions that conform to EIA and IEC racking specifications, permitting compatible equipment to be easily stacked up to form a system, or to be mounted on the EIA/IEC standard rack.

The accessories of the F-series cabinet are easy to mount and use, and blend with the design of the cabinet. The F-series can be identified by its green feet.

Protective Cover

Protects front of cabinet

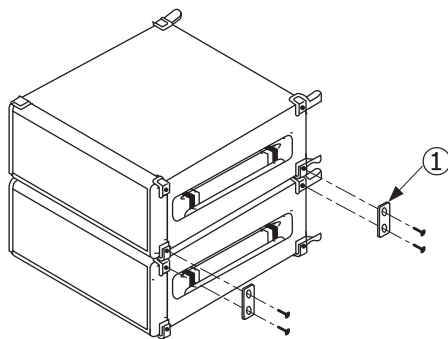


No.	Description	Quantity
①	Protective cover	1

Item	Order No.
Protective cover 3/4MW4U	B0329G
Protective cover 1/2MW2U	B0329L

Coupler

To mount two or more F-series cabinets in a stack



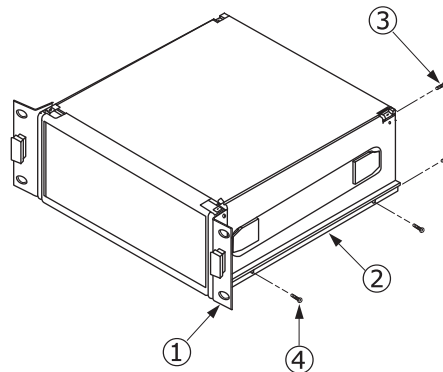
No.	Description	Quantity
①	Coupler	4

Item	Order No.
Coupler	B0332*

*: B0332 is not RoHS ((EU) 2015/863) compliant.

Rack Mount Kit

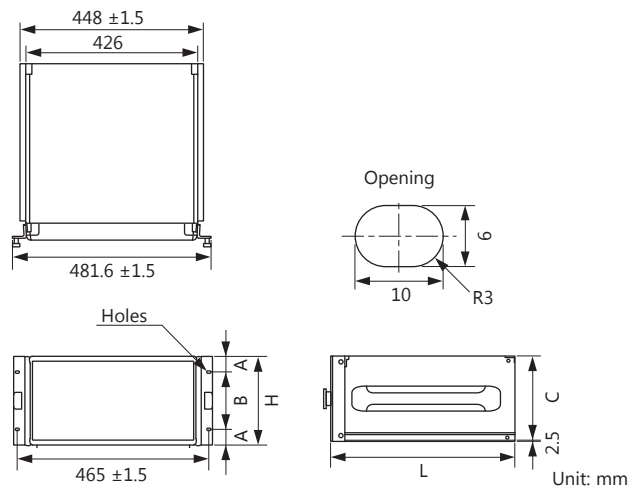
The rack mount accessory is for use with 1MW450D cabinet. For EIA/IEC standard rack



No.	Description	Quantity
①	Rack flange	2
②	Side rail	2
③	5NPS25S7 + SW	2
④	4NPS6S7 + SW	4

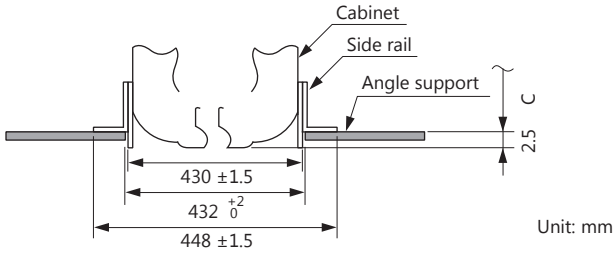
Item	Order No.
Rack mount kit 5U	B0333G

F-series Cabinet Rack Mount Dimensions



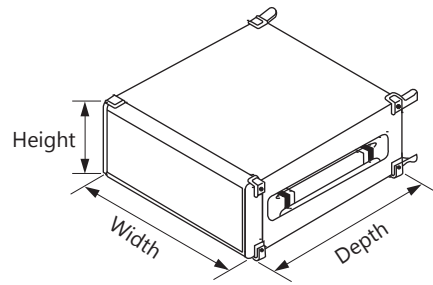
Cabinet height	H	A	B	C	L
5U	221.5	37.7	146.1	219	499

Cabinet Angle Support Dimensions



Note: Merely attaching the equipment to the rack with rack mount kit does not provide enough support. Use either angle supports or shelves to provide the necessary support.

Symbol and Dimensions of F-series Cabinet



Width

Symbol	Dimension (mm)
1MW	426
3/4MW	320
2/3MW	284
1/2MW	213

Height

Symbol	Dimension (mm)
2U	88
3U	132.5
4U	177
5U	221.5
6U	266

Depth

Symbol	Dimension (mm)
250D	251
350D	351
450D	451

Note: Knobs, handles, and feet are not included in cabinet external dimensions.