

Upgraded Equalizer Function for PCI Express 5.0 Receiver Test Solution

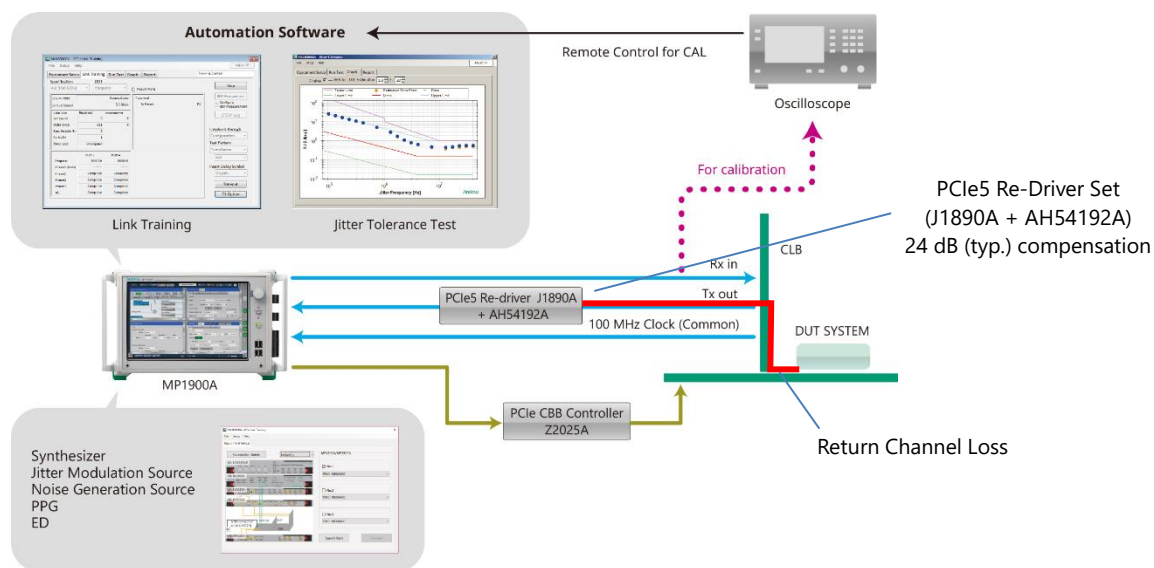
Signal Quality Analyzer-R MP1900A

PCIe5 Re-Driver Set



Outline

Testing of fifth-generation (5G) mobile communications services is progressing and data centers forming the foundation of this technology revolution are increasingly processing big data at high speeds. Internal interfaces in data-center transmission equipment, servers, storage, etc., are now undergoing pre-correlation testing to examine the impact of return-channel loss on receiver-test measurements and clarify problems between the DUT and measuring instruments at SSC addition. The Signal Quality Analyzer-R Series MP1900A has a strengthened Equalizer function for compensation of PCIe 5.0 return-channel loss to quickly resolve the challenges of PCIe 5.0 compliance tests. In addition to fully covering PCIe 1.0 to 5.0 testing needs, it also supports next-generation PCIe 6.0 (PAM4 32 Gbaud) evaluations, helping customers cut the design testing stage.



Features

Optimized Performance for PCIe 5.0 Receiver Tests

- Supports PCIe 5.0 compliance test using 24 dB (typ.) loss Compensation function
- SSC Rx performance (7000 ppm) supporting PCIe 3.0, 4.0, and 5.0 receiver tests

Lower Capital Costs

- Supports up to PCIe 5.0 using customers' own real-time oscilloscopes from three key makers
- All-in-one coverage from PCI Express 1.0 (2.5 Gbit/s) to 5.0 (32 Gbit/s)
- Customized expandability as required by adding PAM4 PPG supporting next-generation PCI Express 6.0 (PAM4 32 Gbaud)

Anritsu MP1900A

The Signal Quality Analyzer-R MP1900A series is a modular multichannel BERT. It is configured from a pulse pattern generator (PPG) outputting multichannel high-quality wideband NRZ signals from 2.4 to 32.1 Gbit/s, a high-input-sensitivity error detector (ED), jitter generation source, and noise generator to support automatic Jitter Tolerance tests. Refer to the Selection Guide when selecting a PPG for tests and evaluations.

Recommended Equipment List

Model	Name	Option
MP1900A	Signal Quality Analyzer-R	-
MU181000B	12.5 GHz 4-port Synthesizer	002
MU181500B	Jitter Modulation Source	-
MU195020A	21G/32G bit/s SI PPG	001, 010, 011 or 001, 020, 021*1
MU195040A	21G/32G bit/s SI ED	001, 010, 011, 022
MU195050A	Noise Generator	-
MU196020A	PAM4 PPG*2	001, 011
J1890A*3	PCIe5 Re-Driver Set	-
AH54192A*3	56Gbaud Differential Linear Amplifier	

*1: Expansion to 2ch for Crosstalk test

*2: Supports PCIe 6.0 (PAM4 32 Gbaud) performance evaluation

*3: Supports return channel loss up to 24 dB (typ.) in combination.

Recommended Software Options

Jitter Tolerance Test	MX183000A-PL001
PCIe Link Training*4	MX183000A-PL021
PCIe 5 Link Training*5	MX183000A-PL025

*4: Supports PCIe 1.0 to 4.0

*5: PCIe 5.0 support requires the MX183000A-PL025 and MX183000A-PL021 options.

Teledyne LeCroy Software

The QPHY software supports PCI Express transmitter tests (transmitter presets as well as editing and analysis of transmitted waveforms for signal-quality tests, integrated Eye diagrams, and Jitter analysis tools), receiver tests, Gen 3/4 compliance tests (Eye Calibration, Link Training, Equalization, LTSSM Analysis), as well as soon-to-be-released Gen5 CEM*1. Measurement reports can be output in either HTML or PDF format.

Ordering Information

QPHY-PCIE5-Tx-Rx*2,3	PCIe Compliance Test Option Recommended main unit: 50 GHz or more)
----------------------	---

*1: Enquire about support for Gen5 CEM.

*2: Supported real-time oscilloscopes: LabMaster 10Zi-A series

*3: Enquire about support for PAM4 PPG MU196020A.



700 Chestnut Ridge Road
Chestnut Ridge, NY 10977-6499
+1 (800) 553-2769
www.teledynelecroy.com

Granite River Labs Software

The GRL-PCIE5-RXA software supports the PCI Express Gen5 data rate (32 GT/s) for implementing PCIe receiver tests including automated Eye calibration for Base and CEM. Transmission waveforms can be collected and analyzed automatically using the customer's own real-time oscilloscope for transmitter-preset and signal-quality tests. Measurement reports can be output in either PDF or csv format.

Ordering Information

GRL-PCIE4-BASE-RXA*1	PCIe 3.0/4.0 Base Specification Rx Test Software License
GRL-PCIE4-CEM-RXA*1	PCIe 3.0/4.0 CEM Specification Rx Test Software License
GRL-PCIE5-BASE-RXA*1	PCIe 5.0 Base Specification Rx Test Software License
GRL-PCIE5-CEM-RXA*1	PCIe 5.0 CEM Specification Rx Test Software License

*1: For the latest information on supported oscilloscopes and automation software, visit:

<https://www.anritsu.com/en-us/test-measurement/support/downloads/software/dwl20003>



Thomas Road, Suite A
Santa Clara, CA 95054 USA
+1 (408) 627-7608
www.graniteriverlabs.com

Tektronix Software

The Tektronix RXSW-XXX-PCI5 software supports PCI Express Gen5 (32 GT/s) BASE and CEM stressed Eye calibration and receiver tests (Link Training, Equalization, LTSSM Analysis, Jitter Tolerance). Measurement reports can be output in HTML format.

Ordering Information

RXSW-XXX-PCI5*1,2	PCIe Gen5 Receiver software
-------------------	-----------------------------

*1: Supported real-time oscilloscope: DPO70000SX series

*2: Contact us for details about the PAM4 PPG MU196020A.



14150 SW Karl Braun Drive
P.O. Box 500 Beaverton, OR 97077
+1 (800) 833-9200
www.tek.com/