

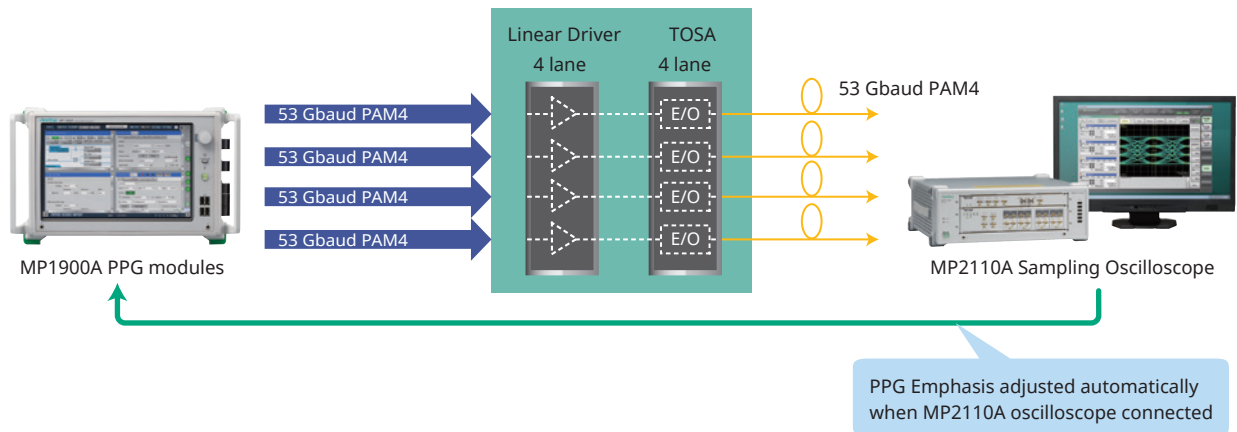
400G PAM4 Solution

MP1900A BERT Module

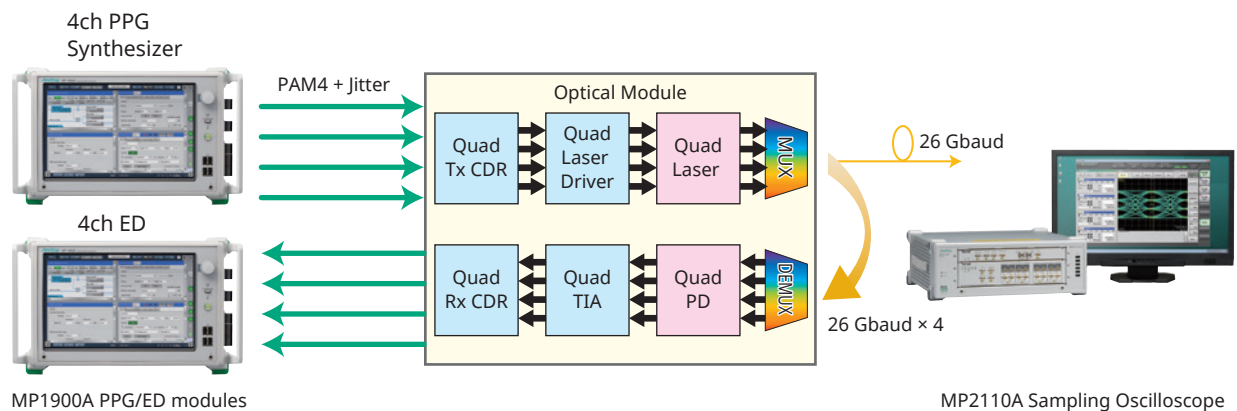
MP2110A Sampling Oscilloscope Option

Devices using the PAM4 signal require BER evaluation and waveform quality evaluation. Anritsu provides measurement solutions in the following applications.

TOSA, Driver IC Evaluations



Optical Module, Active Cable Evaluations



BER Evaluation: MP1900A PAM4 BERT modules

The Signal Quality Analyzer-R MP1900A series PAM4 BERT modules are bit error rate tester optimized for measuring high-speed interfaces, such as 400 GbE and the future 800 GbE standard.

It provides powerful support for design testing of PAM4 devices using high-quality waveforms up to 64 Gbaud and high input sensitivity performance. Additionally, with an all-in-one architecture offering Jitter Addition, Clock Recovery, Emphasis, PAM4 Pattern Editing, and SER functions, the MP1900A is the ideal highreproducibility and easy-to-configure system for PAM4 measurements.

PAM4 One Box Test Solution

Emphasis 4Tap, 20 dB

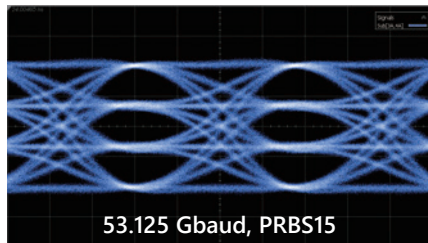
Built-in Clock Recovery



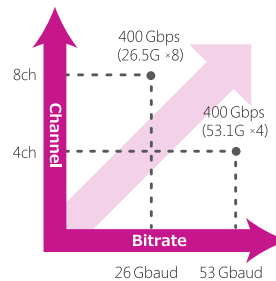
Jitter/Noise Addition

Jitter Tolerance Test

Highest Level Waveform Quality



Next-Generation Terabit

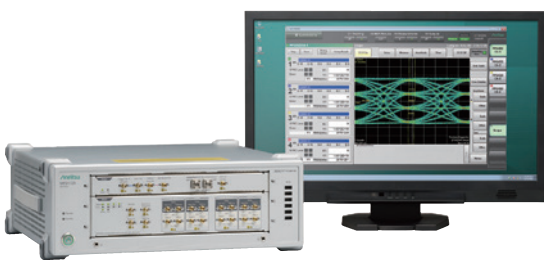


[Target Applications]

200/400/800 GbE, CEI-56G/112G, InfiniBand HDR, 64G Fibre Channel

Waveform Quality Evaluation: MP2110A Sampling Oscilloscope

The MP2110A sampling oscilloscope option supports PAM4 signal measurements including TDECQ as well as NRZ signals, it is the ideal all-in-one solution for evaluating the quality of optical modules at speeds from 25 Gbps to 400 Gbps.



Features

Easy - TDECQ measurement using a reference filter and equalizer is supported. Measurement results are obtained with good reproducibility and correlation with other makers' oscilloscopes. Not only 26 Gbaud, but also 53 Gbaud measurements are supported.

Fast - The fast sampling speed of 250 ksample/s cuts measurement times to help improve productivity. Built-in PC ensures stable performance.

Low Noise, High Sensitivity - World-best 3.4 μ W low noise O/E module performance ensures accurate measurement of PAM4 signals with narrow Eye openings.

Built-in CRU - 26 Gbaud built-in Clock Recovery Unit for Sampling Oscilloscope trigger input.

[Target Applications]

Evaluating PHY layer performance of optical transceiver modules (CFP8, SFP56, QSFP56, OSFP, QSFP-DD) and component devices