

# 100-Gbps Module for Network Master Pro

Network Master Pro MT1000A  
100G Multirate Module MU100011A



## Portable Field 100G Testing

### Comprehensive Transport Field Tests

Supports various technologies, including Ethernet, OTN, SDH/SONET, CPRI/OBSAI and Fibre Channel

### Compact Form Factor, Large Screen and Easy-to-Use

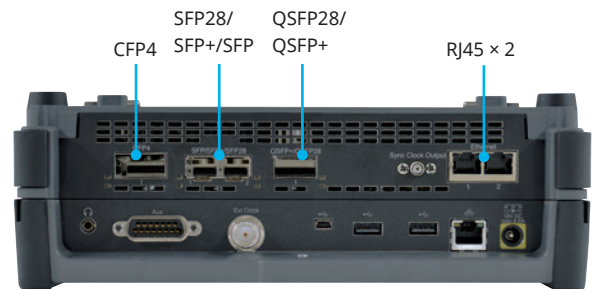
Usability and portability without sacrifice

### Maximum Productivity for Operators and Contractors with Minimum CAPEX and OPEX

Tomorrow's testing today with simple operation

True field-portable transport tests are essential as 100-Gbps interfaces transition from Core long-haul networks to Metro networks and low-cost multiple client interfaces (Ethernet, OTN, SDH/SONET, Fibre Channel). Today's field engineers require not only multiple interface rates from 1 Gbps to 100 Gbps, but also multiple form factors and diverse test methods. The new Network Master Pro 100G Multirate Module is designed as the **smallest-in-class 100-Gbps tester** with field engineers in mind to ensure all tests are completed correctly every time.

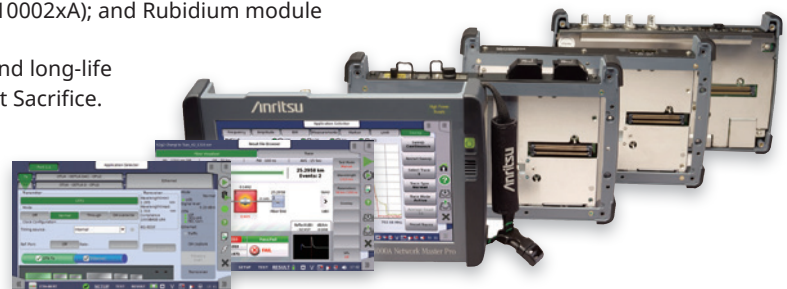
Interface	Ethernet	OTN	SDH/SONET	Fibre Channel	CPRI/OBSAI
CFP4	100 GbE	OTU4	—	—	—
QSFP28	100 GbE	OTU4	—	—	—
QSFP+	40 GbE	OTU3	—	—	—
SFP28	25 GbE				
SFP+/ SFP	10 GbE/GbE	OTU1/ OTU2x	STM-1 to 64 OC-3 to 192	1 to 16G FC	CPRI 1/2/3/4/5/6/7/8 OBSAI 1x/2x/4x/8x
RJ45	10/100/ 1000M				



## Flexible Form Factor

The 100-Gbps module adds a large range of test technologies as the industry leading telecoms platform with the largest Network Field Coverage when combined with existing modules. **CAPEX and OPEX** are reduced by hardware support for technologies ranging from Transport testing up to 100G (MU100011A); Transport testing up to 10G (MU100010A) including CPRI and CPRI RF spectrum testing (MU100040A); OTDR testing (MU10002xA); and Rubidium module for PTP clocking testing (MU100090A).

The small form factor with full-front large screen and long-life battery offers True Usability and Portability without Sacrifice.

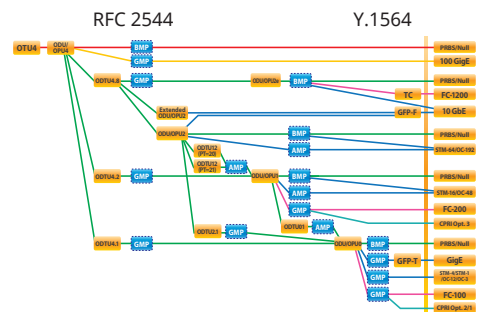
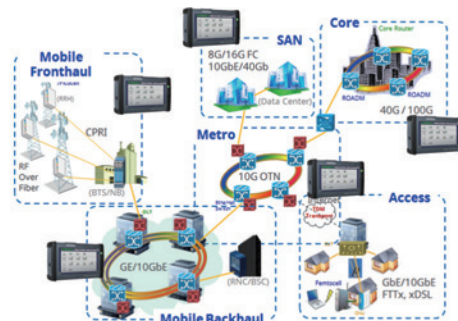


## Market-Leading Transport Testing

A Transport tester supporting market demand must support a broad diversity of technologies, ranging from legacy SDH/SONET to OTN and Ethernet for Core, Metro and data-center interconnects and **25 GbE/100 GbE available today**. Data-center expansion and heavy use of newly standardized technologies, such as 25 GbE, is driving new market demand. Mobile Backhaul, Fronthaul, and Fibre Channel in data centers require PTP (SyncE and IEEE 1588 v2) and CPRI.

The Network Master Pro 100G Multirate Module covers all these configurations with just a few options, ensuring Today's Purchase Covers Tomorrow's Test Requirements. Order any RFC 2544-compliant Ethernet interface for today's BERT test requirements and you're covered for tomorrow's Y.1564, Stacked VLAN, MPLS-TP, Layer 4 UDP/TCP, and more, tests.

As networks transition to OTN in preparation for SDN and NFV, **Multi-Stage ODU mappings** are essential for I&M from 100G, 40G or 10G to any technology, including ODUflex, ODU0 and testing of all technologies over OTN, such as Ethernet, SDH/SONET, CPRI and Fibre Channel. Only the Network Master Pro delivers Market Technology Coverage at the depths and strengths required by today's networks.



Supporting OTU4 Mapping

## All Required Tools

Operation Process Simplification supports your engineering and field teams with all the tools needed to maximize your investment and optimize your network engineers' time.

Windows Control Software (MX100001A; Free)

- Remotely control MT1000A.
- Quickly and simply analyze and review results, and create reports without MT1000A connection.
- Create test configurations without MT1000A connection for high-level field engineer support via configuration-file updates over email.



Configurable One Button Testing PC Software (MX100003A, Free)

- Create test procedure at head-office PC, including descriptions, pictures and references, for field engineers to guide data input as test sequence progresses.
- Complete multiple field-test sequences by pressing one button with automatic documentation and saving to one directory.



## Ordering Information

Please specify the model/order number, name and quantity when ordering. The names listed in the chart below are Order Names. The actual name of the item may differ from the Order Name.

Model No.	Name
<b>Main frame</b>	
MT1000A*	Network Master Pro
<b>Module</b>	
MU100011A*	100G Multirate Module
<b>Module Options</b>	
MU100011A-001	Up to 10G Single Channel
MU100011A-003	Up to 10G Dual Channel
MU100011A-013	Ethernet 40G Single Channel
MU100011A-015	Ethernet 100G Single Channel
MU100011A-017	Ethernet 25G Single Channel
MU100011A-053	OTN 40G Single Channel
MU100011A-055	OTN 100G Single Channel

Model No.	Name
MU100011A-004	Up to 10G FC Single Channel
MU100011A-005	Up to 10G FC Dual Channel
MU100011A-091	FC 16G Single Channel
MU100011A-071	CPRI/OBSAI Up to 10G Single Channel
MU100011A-072	CPRI/OBSAI Up to 10G Dual Channel
MU100011A-062	ODU Flex
MU100011A-063	ODU Multiplexing/Multi-Stage
MU100011A-020	TCP Throughput
MU100011A-023	RS-FEC for 100GBASE-SR4
MU100011A-083	STM-256/OC-768 Client Signal

\*: Installing the MU100011A requires the MT1000A with Option 006/206 installed.