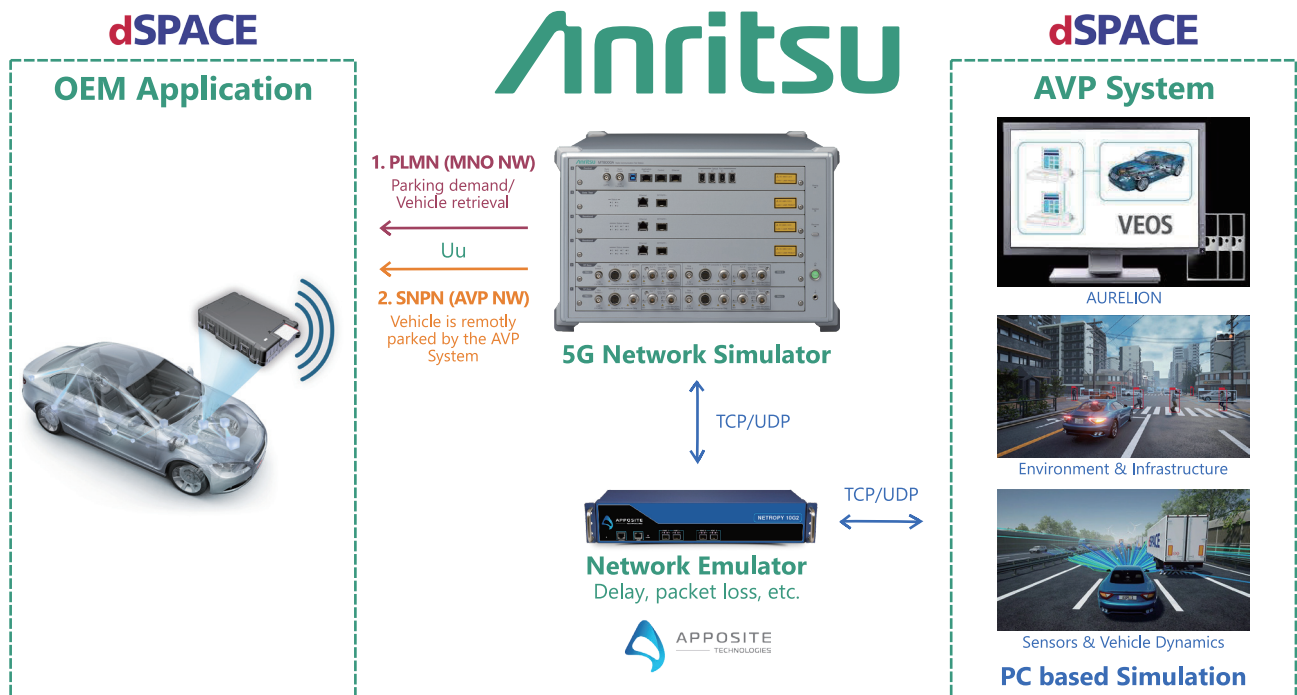


5G Enabled Automated Valet Parking

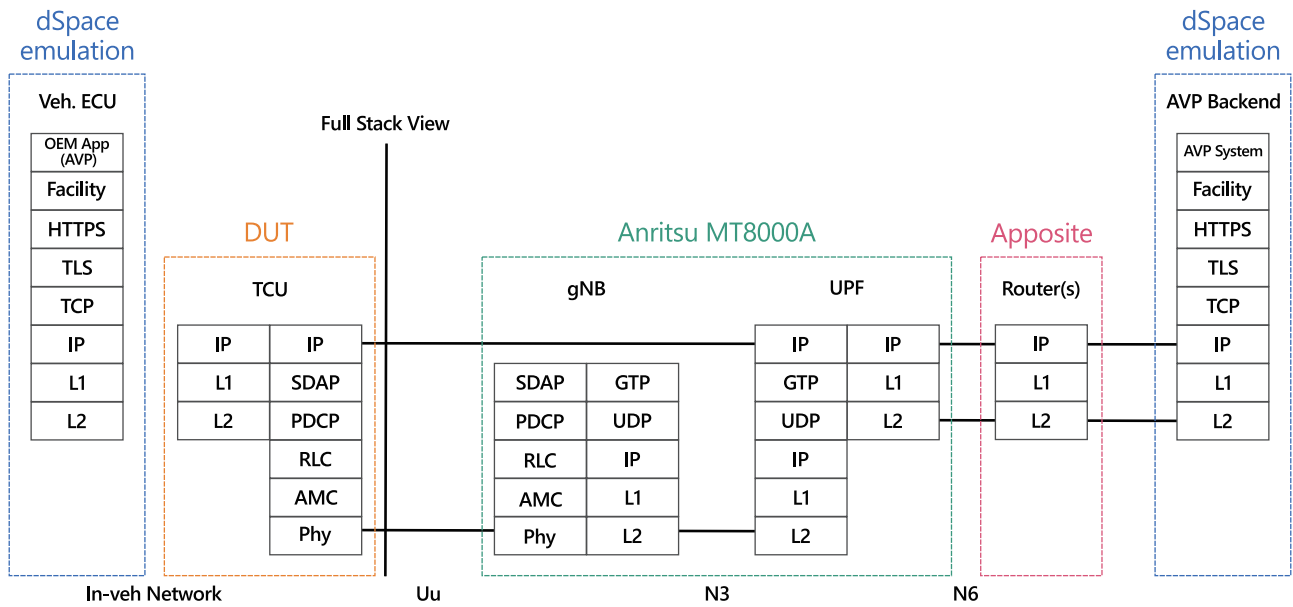
Anritsu Solution for Automated Valet Parking

This solution features Anritsu **MT8000A Radio Communication Test Station** and **dSPACE VEOS** (a PC-based simulation platform), with **dSPACE AURELION** sensor-realistic simulation provides 5G Digital Twin testing environment for Automotive V2X Use Cases.

This is a demonstration of **Automated Valet Parking (AVP) Type 2**, which is one of the actively discussed use cases of V2X. By using communication technology such as 5G, the parking request will be received by the AVP service. The vehicle will then be dropped off by the driver and automatically driven by the AVP system to its intended parking spot. Upon request of the owner, the vehicle is automatically retrieved.



Protocol Configuration



Operation Sequence

