

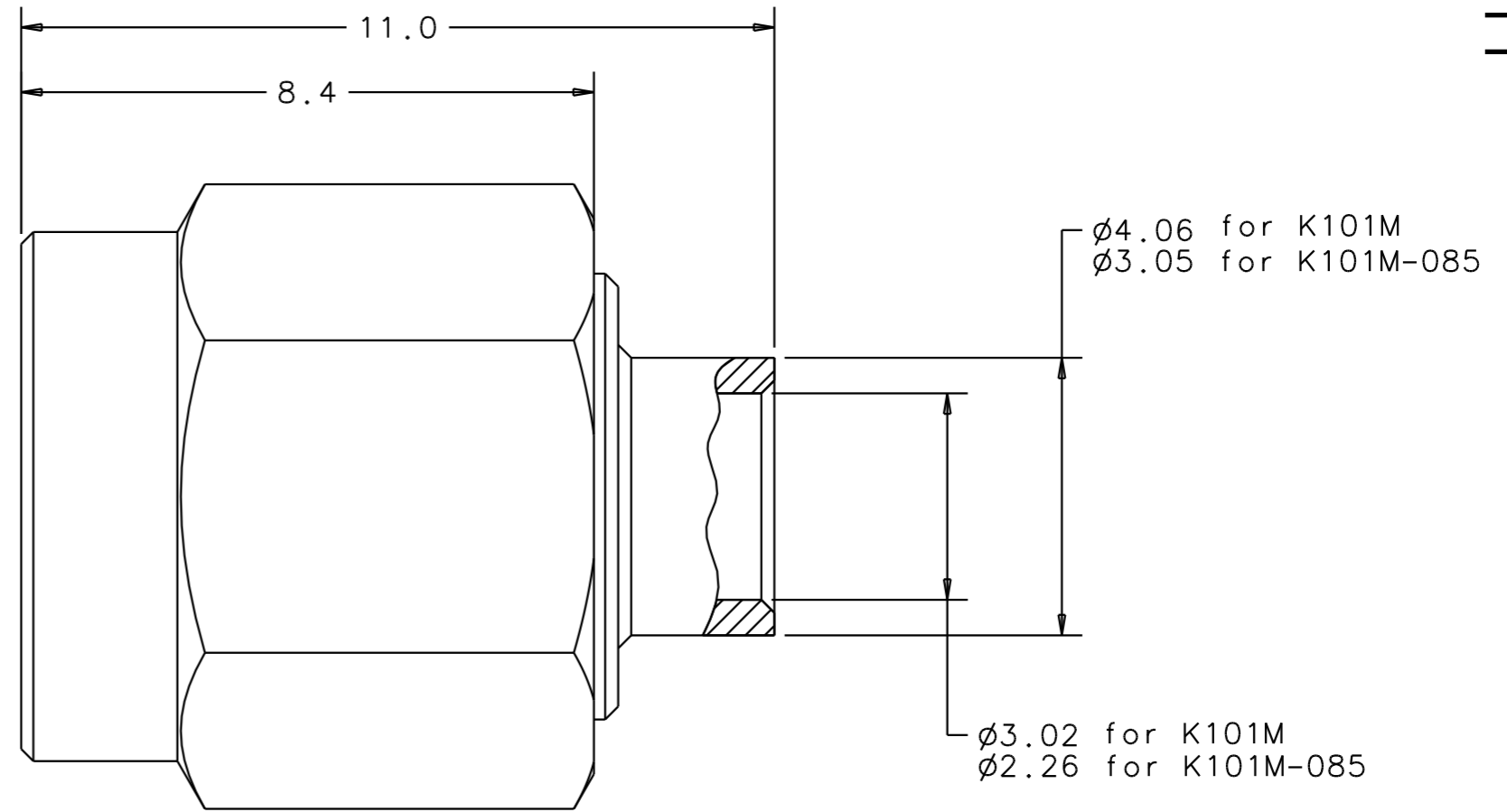
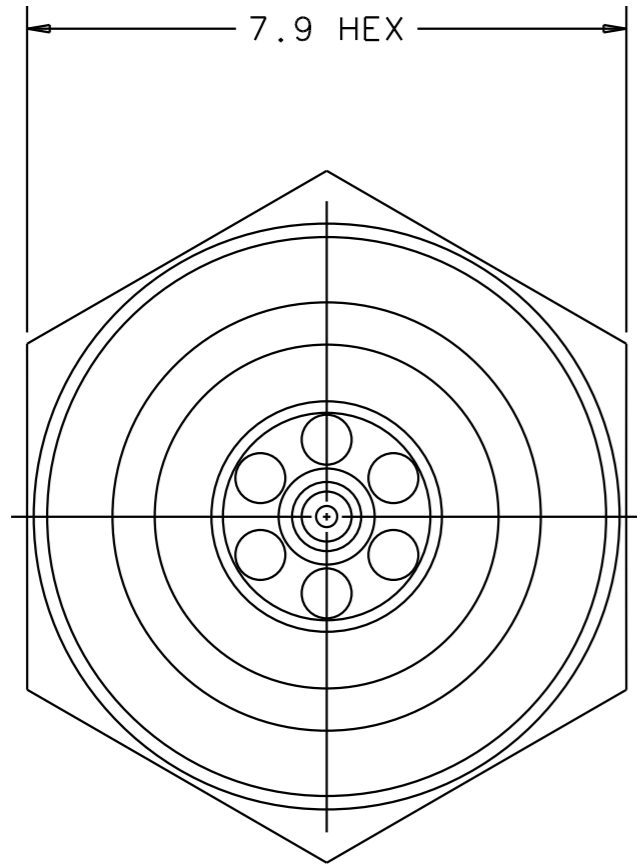
1

2

3

4

ZONE	REV	DESCRIPTION OF REVISION	ECN NO.	BY	DATE	APPROVED
--	A	INITIAL RELEASE	LAB	TN	07-04	AT



NOTES:

- 1. ELECTRICAL :
  - 1.1 FREQUENCY: DC TO 40GHZ
- 2. MECHANICAL :
  - 2.1 FRONT-SIDE PIN DEPTH: 0.000 TO -0.13mm
  - 2.1 COUPLING NUT TIGHTNING TORQUE: 1.36N-m MAX
- 3. OPERATING TEMPERATURE: -55°C TO 125°C
- 4. MATERIAL :
  - 4.1 OUTER CONDUCTOR: HEAT TREATED BeCu, GOLD PLATED OVER NICKEL
  - 4.2 CENTER CONDUCTOR: HEAT TREATED BeCu, GOLD PLATED OVER NICKLE
  - 4.3 DIELECTRIC: POLYPHENYLENE OXIDE

DIMENSIONS ARE FOR REFERENCE ONLY

UNLESS OTHERWISE SPECIFIED, ALL DIMENSIONS ARE IN MILLIMETERS (mm)	DRAWN	TIEN NGUYEN	DATE	07-04	MATERIAL: SEE SEPARATE PRODUCT STRUCTURES	
	CHECKED	A. THOMAS	DATE	07-04	490 JARVIS DRIVE MORGAN HILL, CA. 95037	
APPROVED	A. THOMAS	DATE	07-04	TITLE		
SEE PRODUCT STRUCTURE	TOLERANCES: UNLESS OTHERWISE SPECIFIED		ANGLES ±--		OUTLINE, K101M & K101M-085 CONNECTOR	
ALL INFORMATION SHOWN ON THIS SPECIFICATION IS PROPRIETARY INFORMATION OF ANRITSU COMPANY	1 PLACES		SURFACE FINISH		FSCM NO. 20944	
	2 PLACES		FINISH		DRAWING NO. 63319	
DO NOT SCALE DRAWING					REV A	
				SCALE		UNDER ECN CONTROL 07-04 BY AT M.E. DATE
						SHEET 1 OF 1

1

2

3

4