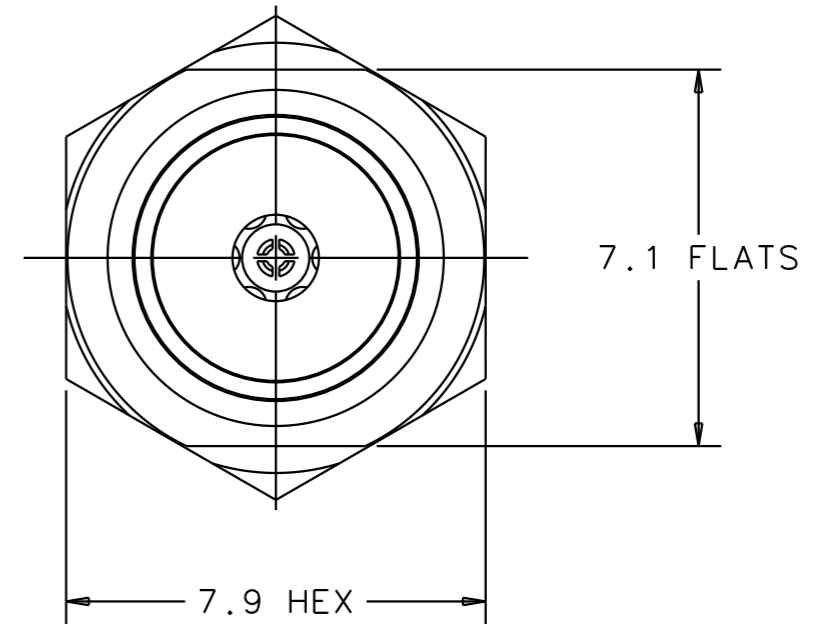
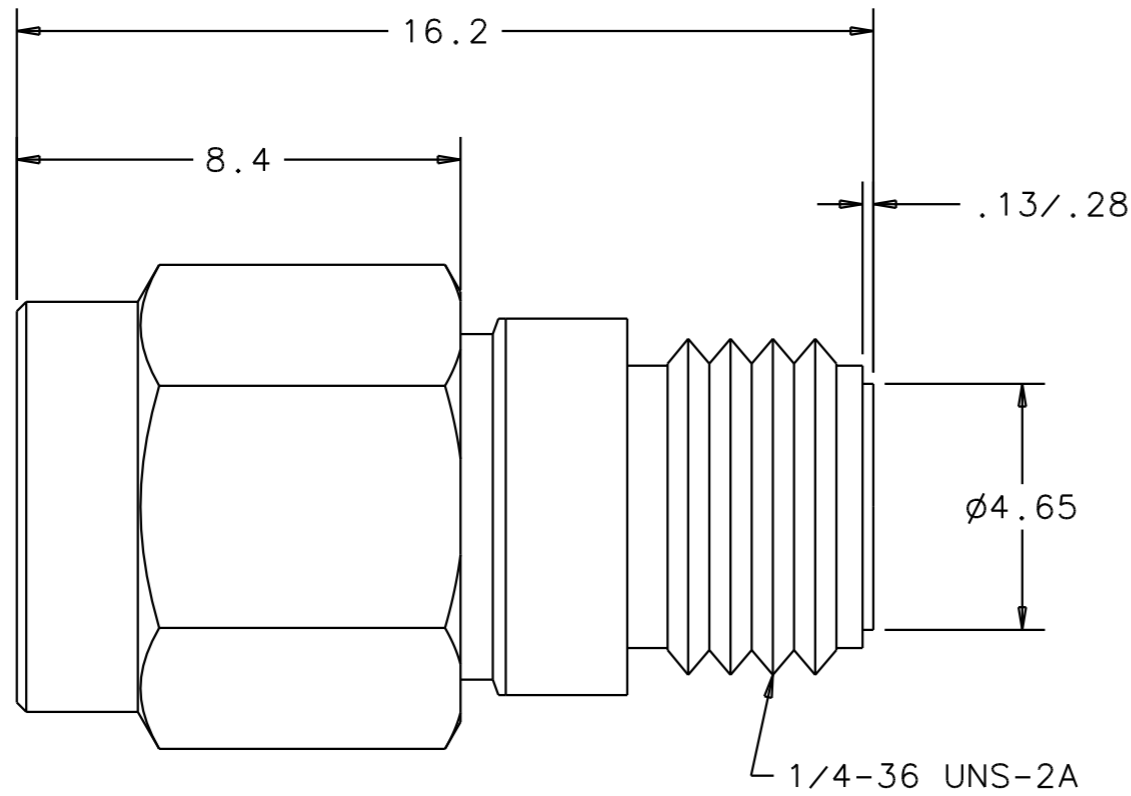


ZONE	REV	DESCRIPTION OF REVISION	ECN NO.	BY	DATE	APPROVED
--	A	INITIAL RELEASE	LAB	TN	07-04	AT



NOTES:

1. ELECTRICAL:

- 1.1 FREQUENCY: DC TO 40GHz.
- 1.2 VSWR: 1.433.

2. MECHANICAL:

- 2.1 FRONT-SIDE PIN DEPTH: 0.000 TO -0.13mm.
- 2.1 COUPLING NUT TIGHTNING TORQUE: 1.36N-m MAX.

3. OPERATING TEMPERATURE: -55°C TO 125°C.

4. MATERIAL:

- 4.1 OUTER CONDUCTOR: PASSIVATED STAINLESS STEEL.
- 4.2 BEAD HOLDER: PASSIVATED STAINLESS STEEL.
- 4.3 CENTER CONDUCTOR: HEAT TREATED BERYLLIUM COPPER, GOLD PLATED OVER NICKLE.
- 4.4 DIELECTRIC: POLYPHENYLENE OXIDE.

DIMENSIONS ARE FOR REFERENCE ONLY

UNLESS OTHERWISE SPECIFIED, ALL DIMENSIONS ARE IN MILLIMETERS (mm)	DRAWN TIEN NGUYEN DATE 07-04	MATERIAL: SEE SEPARATE PRODUCT STRUCTURES
	CHECKED A. THOMAS DATE 07-04	Anritsu 490 JARVIS DRIVE MORGAN HILL, CA. 95037
	APPROVED A. THOMAS DATE 07-04	
SEE PRODUCT STRUCTURE _____	TOLERANCES: UNLESS OTHERWISE SPECIFIED	TITLE OUTLINE, K102M CONNECTOR
ALL INFORMATION SHOWN ON THIS SPECIFICATION IS PROPRIETARY INFORMATION OF ANRITSU COMPANY	1 PLACES ANGLES ±--	FSCM NO. 20944 DRAWING NO. 63321 REV A
	2 PLACES SURFACE FINISH ✓	
3 PLACES SURFACE FINISH ✓	FINISH -----	SCALE - UNDER ECN CONTROL 07-04 BY AT DATE M.E. SHEET 1 OF 1
DO NOT SCALE DRAWING		