

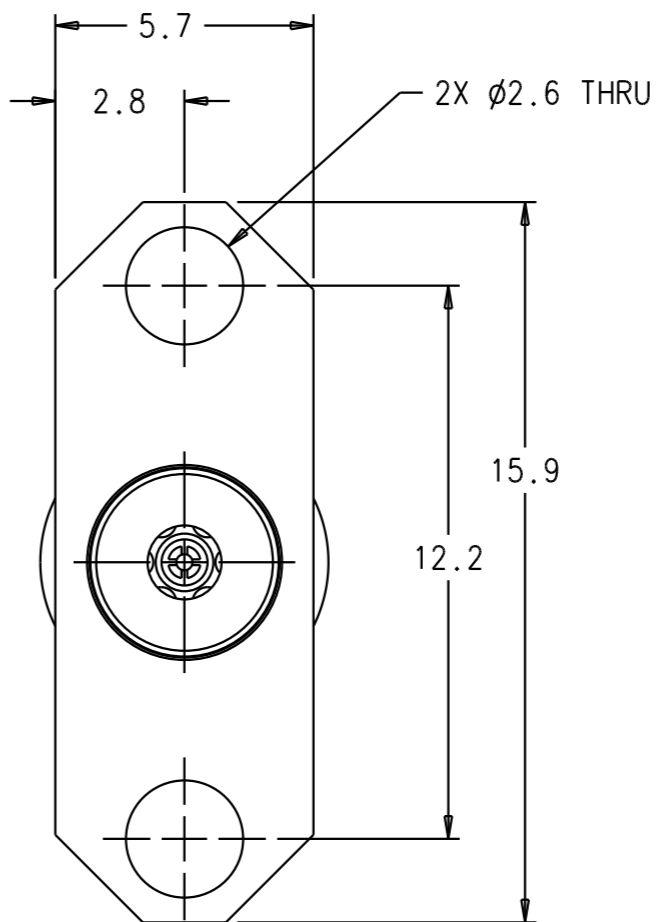
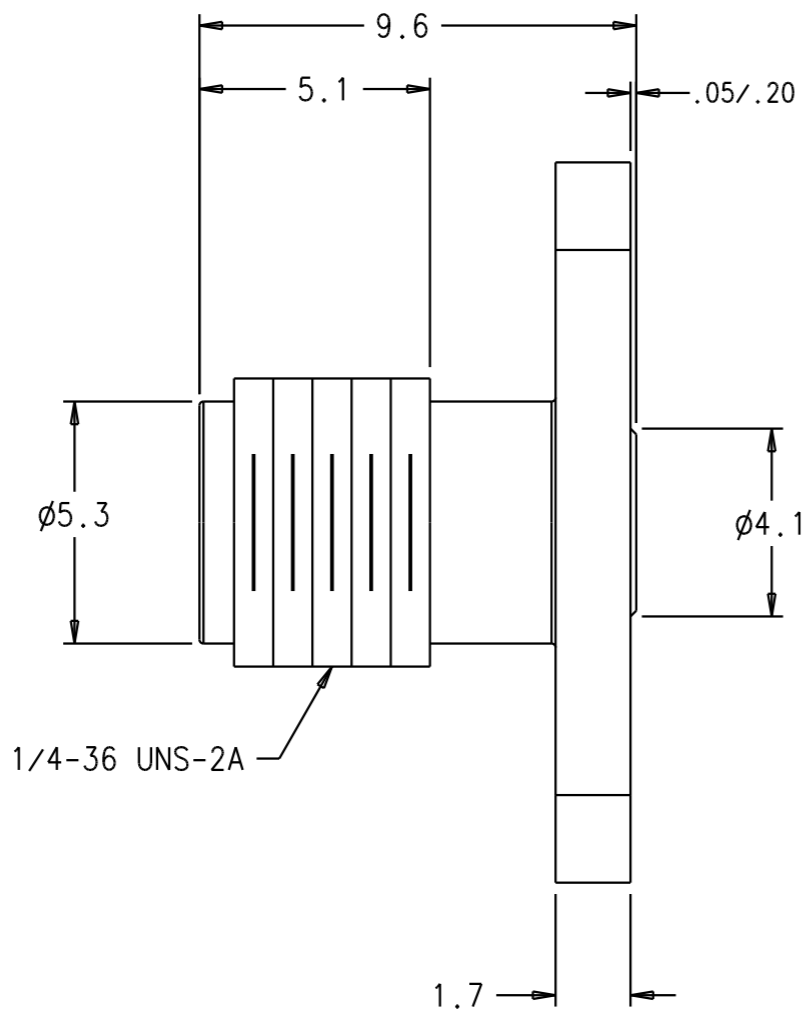
1

2

3

4

ZONE	REV	DESCRIPTION OF REVISION	ECN NO.	BY	DATE	APPROVED
	A	INITIAL ISSUE	LAB	M&M	06/21/04	A.T.



NOTES:

1. ELECTRICAL:
  - 1.1 FREQUENCY: DC TO 40GHz
  - 1.2 VSWR: 1.433
2. MECHANICAL:
  - 2.1 FRONT-SIDE PIN DEPTH: 0.000 TO 0.13mm
3. OPERATING TEMPERATURE: -55°C TO +125°C
4. MATERIAL:
  - 4.1 OUTER CONDUCTOR: PASSIVATED STAINLESS STEEL.
  - 4.2 BEAD HOLDER: PASSIVATED STAINLESS STEEL.
  - 4.3 CENTER CONDUCTOR: HEAT TREATED BERYLLIUM COPPER, GOLD PLATED OVER NICKEL.
  - 4.4 DIELECTRIC: POLYPHENYLENE OXIDE.

DIMENSIONS ARE FOR REFERENCE ONLY

UNLESS OTHERWISE SPECIFIED, ALL DIMENSIONS ARE IN MILLIMETERS (mm)	DRAWN	M. MEZA	DATE	06/21/04	MATERIAL: SEE SEPARATED PRODUCT STRUCTURES.	
	CHECKED	A. THOMAS	DATE	06/21/04	490 JARVIS DRIVE MORGAN HILL, CA. 95037	
SEE PRODUCT STRUCTURE	APPROVED	A. THOMAS	DATE	06/21/04		
ALL INFORMATION SHOWN ON THIS SPECIFICATION IS PROPRIETARY INFORMATION OF ANRITSU COMPANY	TOLERANCES: UNLESS OTHERWISE SPECIFIED		TITLE			
	1 PLACES	ANGLES	OUTLINE, K103F CONNECTOR			
DO NOT SCALE DRAWING	2 PLACES	SURFACE FINISH	FSCM NO.		DRAWING NO.	REV
	3 PLACES		20944		63324	A
	FINISH	---	SCALE	UNDER ECN CONTROL	06/04	BY A.T. M.E. DATE
			-			SHEET 1 OF 1