

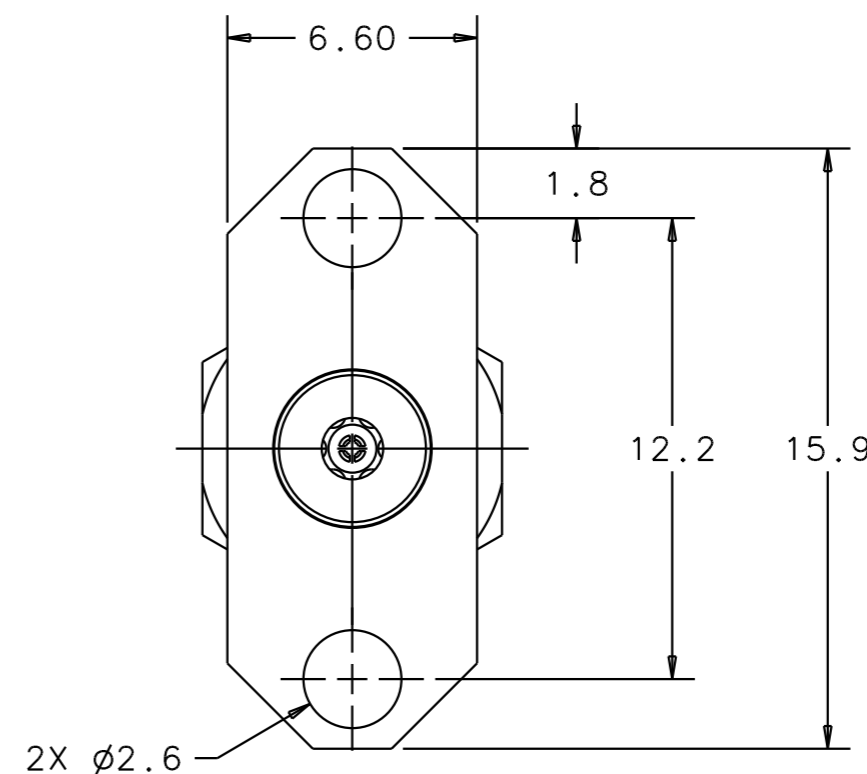
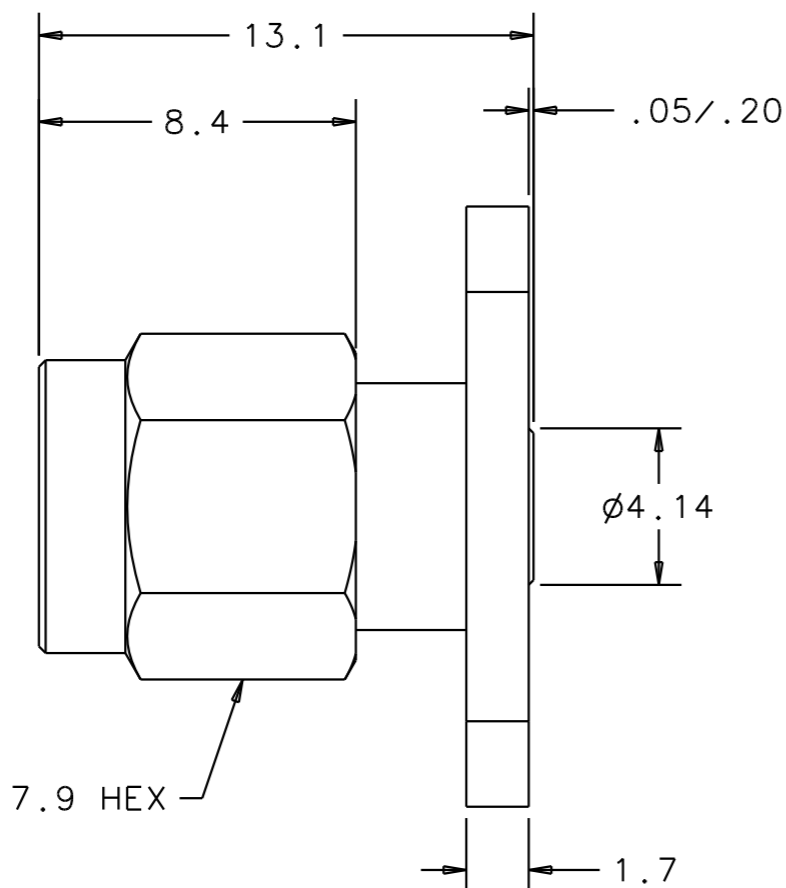
1

2

3

4

ZONE	REV	DESCRIPTION OF REVISION	ECN NO.	BY	DATE	APPROVED
--	A	INITIAL RELEASE	LAB	TN	07-04	AT



NOTES:

1. ELECTRICAL:

- 1.1 FREQUENCY: DC TO 40GHz.
- 1.2 VSWR: 1.433.

2. MECHANICAL:

- 2.1 FRONT-SIDE PIN DEPTH: 0.000 TO -0.13mm.
- 2.1 COUPLING NUT TIGHTNING TORQUE: 1.36N-m MAX.

3. OPERATING TEMPERATURE: -55°C TO 125°C.

4. MATERIAL:

- 4.1 OUTER CONDUCTOR: PASSIVATED STAINLESS STEEL.
- 4.2 BEAD HOLDER: PASSIVATED STAINLESS STEEL.
- 4.3 CENTER CONDUCTOR: HEAT TREATED BERYLLIUM COPPER, GOLD PLATED OVER NICKLE.
- 4.4 DIELECTRIC: POLYPHENYLENE OXIDE.

DIMENSIONS ARE FOR REFERENCE ONLY

UNLESS OTHERWISE SPECIFIED, ALL DIMENSIONS ARE IN MILLIMETERS (mm)	DRAWN	TIEN NGUYEN	DATE	07-04	MATERIAL: SEE SEPARATE PRODUCT STRUCTURES	
	CHECKED	A. THOMAS	DATE	07-04	490 JARVIS DRIVE MORGAN HILL, CA. 95037	
APPROVED	A. THOMAS	DATE	07-04	TITLE		
SEE PRODUCT STRUCTURE _____	TOLERANCES: UNLESS OTHERWISE SPECIFIED		1 PLACES		ANGLES ±--	
ALL INFORMATION SHOWN ON THIS SPECIFICATION IS PROPRIETARY INFORMATION OF ANRITSU COMPANY	2 PLACES		SURFACE FINISH		✓	
	3 PLACES		FINISH		-----	
DO NOT SCALE DRAWING	FSCM NO. 20944		DRAWING NO. 63323		REV A	
	SCALE -		UNDER ECN CONTROL 07-04 BY AT M.E. DATE		SHEET 1 OF 1	

1

2

3

4