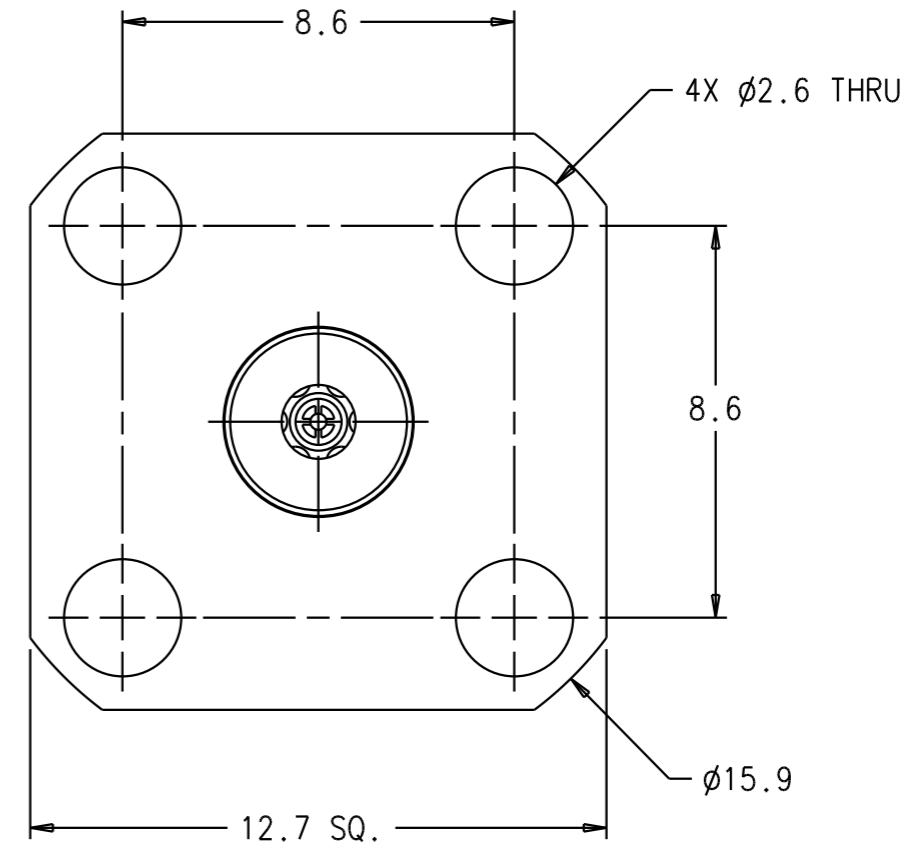
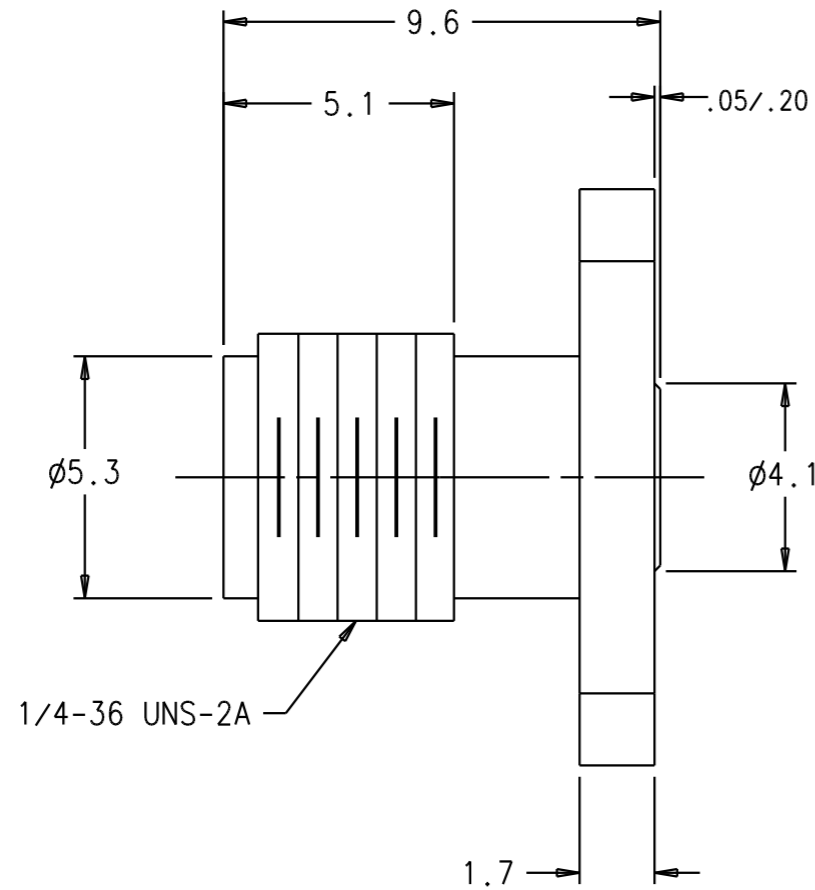


ZONE	REV	DESCRIPTION OF REVISION	ECN NO.	BY	DATE	APPROVED
	A	INITIAL ISSUE	LAB	M&M	06/21/04	A.T.



NOTES:

1. ELECTRICAL:
  - 1.1 FREQUENCY: DC TO 40GHz
  - 1.2 VSWR: 1.433
2. MECHANICAL:
  - 2.1 FRONT-SIDE PIN DEPTH: 0.000 TO 0.13mm
3. OPERATING TEMPERATURE: -55°C TO +125°C
4. MATERIAL:
  - 4.1 OUTER CONDUCTOR: PASSIVATED STAINLESS STEEL.
  - 4.2 BEAD HOLDER: PASSIVATED STAINLESS STEEL.
  - 4.3 CENTER CONDUCTOR: HEAT TREATED BERYLLIUM COPPER, GOLD PLATED OVER NICKEL.
  - 4.4 DIELECTRIC: POLYPHENYLENE OXIDE.
5. ROHS COMPLIANT.

DIMENSIONS ARE FOR REFERENCE ONLY

UNLESS OTHERWISE SPECIFIED, ALL DIMENSIONS ARE IN MILLIMETERS (mm)	DRAWN	D. DIAZ	DATE	05/07	MATERIAL: SEE SEPARATED PRODUCT STRUCTURES	
	CHECKED	RLM	DATE	05/07	490 JARVIS DRIVE MORGAN HILL, CA. 95037	
APPROVED	A. THOMAS	DATE	05/07	TITLE		
SEE PRODUCT STRUCTURE _____	TOLERANCES: UNLESS OTHERWISE SPECIFIED			OUTLINE, K104F-R CONNECTOR		
ALL INFORMATION SHOWN ON THIS SPECIFICATION IS PROPRIETARY INFORMATION OF ANRITSU COMPANY	1 PLACES	ANGLES	FSCM NO. 20944    DRAWING NO. 3-63326    REV A			
	2 PLACES	SURFACE FINISH				
3 PLACES	FINISH	---	SCALE		UNDER ECN CONTROL 05/07 BY A.T. DATE M.E	
DO NOT SCALE DRAWING					SHEET 1 OF 1	