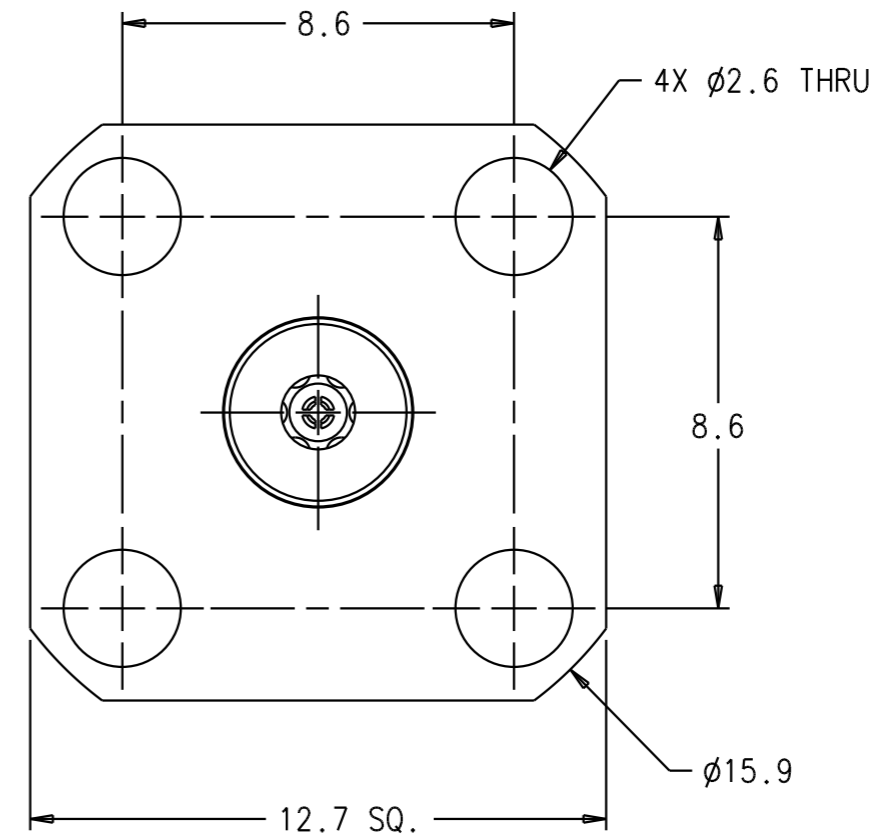
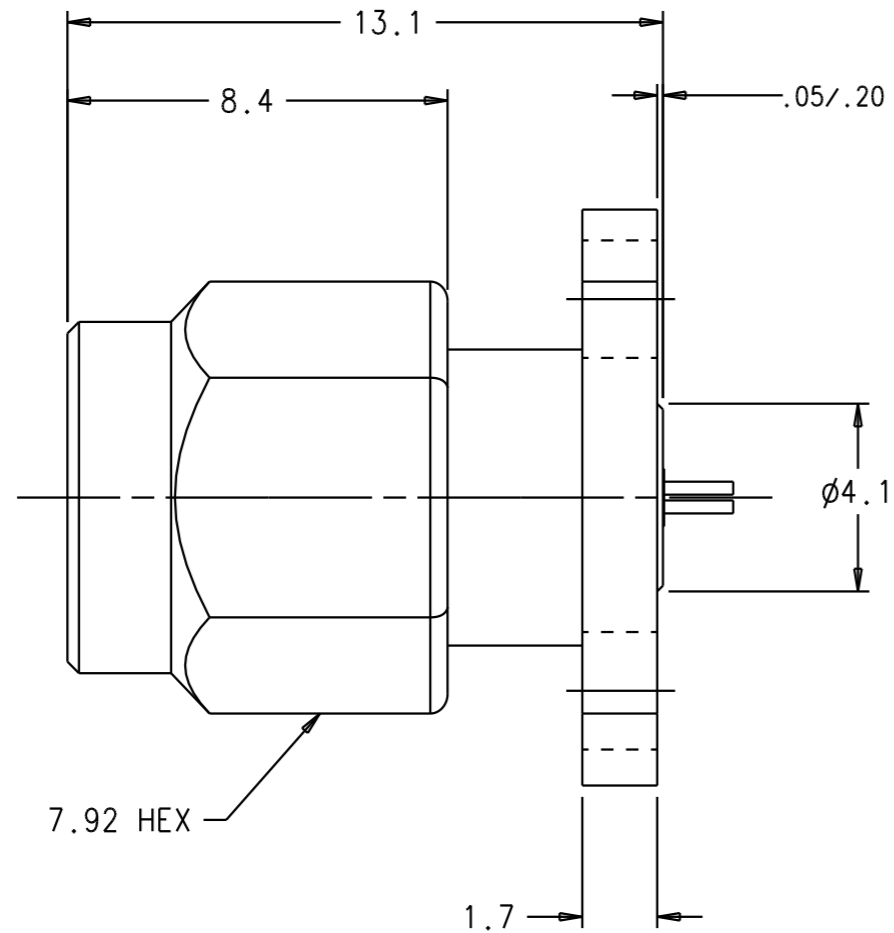


ZONE	REV	DESCRIPTION OF REVISION	ECN NO.	BY	DATE	APPROVED
	A	INITIAL ISSUE	LAB	DD	05/07	AT
	B	CORRECT DIMENSION	MC8379	DD	12/18	CC



NOTES:

1. ELECTRICAL:
  - 1.1 FREQUENCY: DC TO 40GHz
  - 1.2 VSWR: 1.433.
2. MECHANICAL:
  - 2.1 FRONT-SIDE PIN DEPTH: 0.000 TO 0.13mm
  - 2.2 COUPLING NUT TIGHTNING TORQUE: 1.36N-m MAX.
3. OPERATING TEMPERATURE: -55°C TO +125°C.
4. MATERIAL:
  - 4.1 OUTER CONDUCTOR: PASSIVATED STAINLESS STEEL.
  - 4.2 BEAD HOLDER: PASSIVATED STAINLESS STEEL.
  - 4.3 CENTER CONDUCTOR: HEAT TREATED BERYLLIUM COPPER, GOLD PLATED OVER NICKEL.
  - 4.4 DIELECTRIC: POLYPHENYLENE OXIDE.
5. ROHS COMPLIANT.

ALL DIMENSIONS ARE FOR REFERENCE ONLY

UNLESS OTHERWISE SPECIFIED, ALL DIMENSIONS ARE IN MILLIMETERS (mm)	DRAWN	D. DIAZ	DATE	05/07	MATERIAL: SEE SEPARATED PRODUCT STRUCTURES	
	CHECKED	RLM	DATE	05/07	490 JARVIS DRIVE MORGAN HILL, CA. 95037	
APPROVED	A. THOMAS	DATE	05/07	TITLE		
SEE PRODUCT STRUCTURE _____	TOLERANCES: UNLESS OTHERWISE SPECIFIED		OUTLINE, K104M-R CONNECTOR			
ALL INFORMATION SHOWN ON THIS SPECIFICATION IS PROPRIETARY INFORMATION OF ANRITSU COMPANY	1 PLACES	ANGLES	FSCM NO. 20944			
	2 PLACES	SURFACE FINISH	DRAWING NO. 3-63325			
DO NOT SCALE DRAWING	3 PLACES	SURFACE FINISH	REV B			
	FINISH	----	SCALE -			
			UNDER ECN CONTROL 05/07 BY A.T. DATE M.E.		SHEET 1 of 1	