

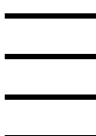
1

2

3

4

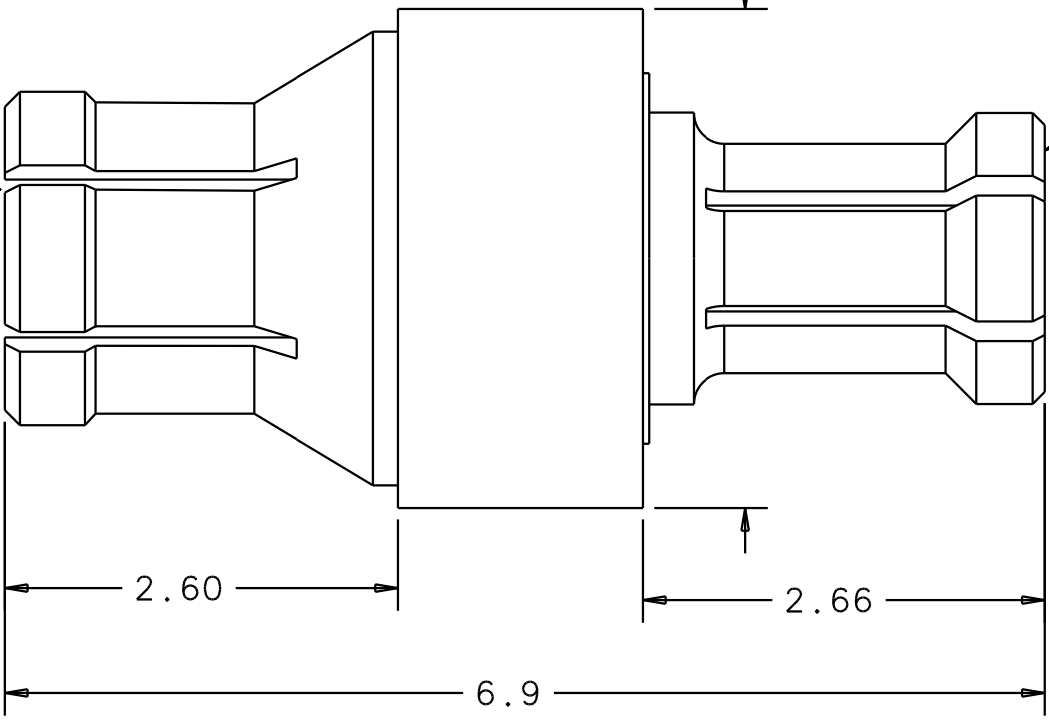
ZONE	REV	DESCRIPTION OF REVISION	ECN NO.	BY	DATE	APPROVED
	A	INITIAL ISSUE	N/A	RLM	06/03	RLM



SMPM FEMALE CONNECTOR

VP FEMALE CONNECTOR

ø3.30



A

A

B

B

UNLESS OTHERWISE SPECIFIED, ALL DIMENSIONS ARE IN MILLIMETERS (mm)	DRAWN	RLM	DATE	06/03	MATERIAL: BeCu (GOLD PLATED)	
	CHECKED	RLM	DATE	06/03	490 JARVIS DRIVE MORGAN HILL, CA. 95037	
	APPROVED	RLM	DATE	06/03		
SEE PRODUCT STRUCTURE	TOLERANCES: UNLESS OTHERWISE SPECIFIED			TITLE		
ALL INFORMATION SHOWN ON THIS SPECIFICATION IS PROPRIETARY INFORMATION OF ANRITSU COMPANY	0 PLACES ±.25		ANGLES ±.5°		VP104F OUTLINE	
	1 PLACES ±.15		SURFACE FINISH			
	2 PLACES ±.05		N7		20944	61331
DO NOT SCALE DRAWING	FINISH		N/A		SCALE	REV
					N/A	A
					UNDER ECN CONTROL	SHEET 1 OF 1
					06/03	DATE
					RLM	BY
					M.E	

1

2

3

4