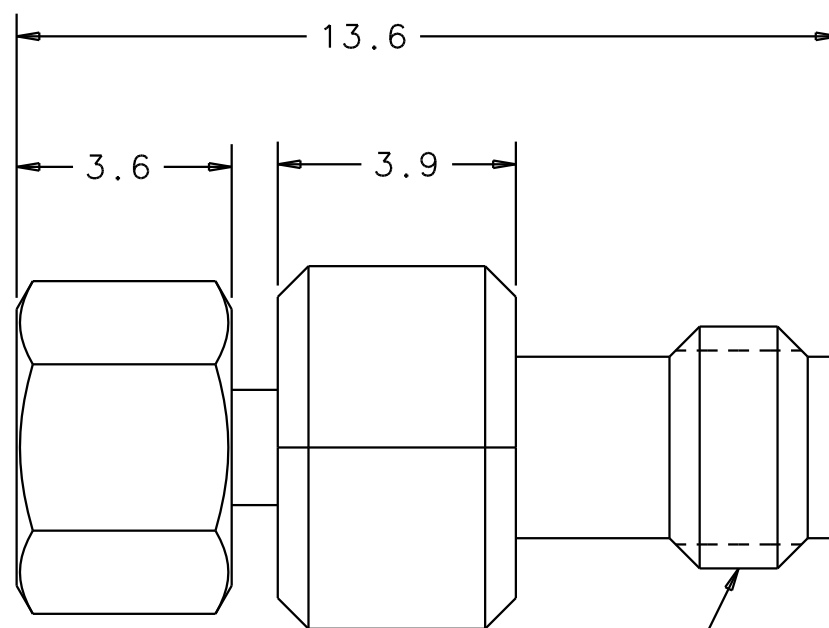
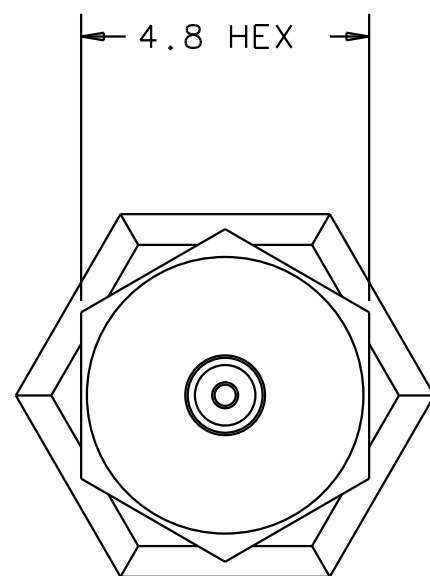
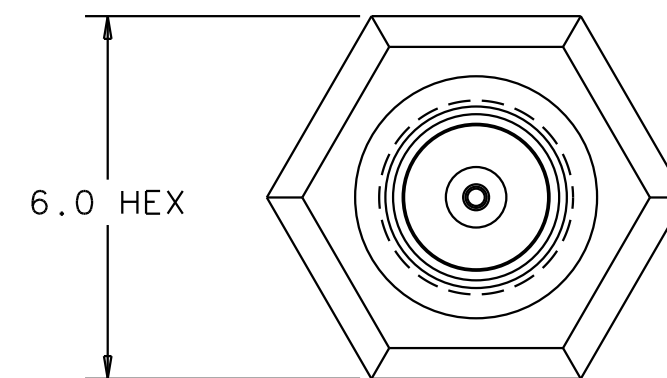


ZONE	REV	DESCRIPTION OF REVISION	ECN NO.	BY	DATE	APPROVED
	A	INITIAL ISSUE	N/A	AT	10/04	AT



M4 X 0.7-6G



NOTES:

1. ELECTRICAL

- 1.1. FREQUENCY RANGE: DC TO 110 GHZ
- 1.2. IMPEDANCE: 50 OHMS
- 1.3. VSWR: 1.24 TYPICAL

2. MECHANICAL

- 2.1. FRONTSIDE PIN DEPTH: 0 TO 0.076 MM MAXIMUM

3. MATERIALS

- 3.1. OUTER CONDUCTOR: PASSIVATED STAINLESS STEEL
- 3.2. CENTER CONDUCTOR: BERYLLIUM-COPPER, GOLD PLATED OVER NICKEL PER MIL-G-45204C
- 3.3. SLEEVE: BERYLLIUM-COPPER, GOLD PLATED OVER NICKEL PER MIL-G-45204C
- 3.4. LOCK SCREW: PASSIVATED STAINLESS STEEL

DIMENSIONS ARE FOR REFERENCE ONLY

UNLESS OTHERWISE SPECIFIED, ALL DIMENSIONS ARE IN MILLIMETERS (mm)	DRAWN	A. THOMAS	DATE	10/04	MATERIAL:	
	CHECKED	A. SHARMA	DATE	10/04	490 JARVIS DRIVE MORGAN HILL, CA. 95037	
APPROVED	A. THOMAS	DATE	10/04	TITLE		
SEE PRODUCT STRUCTURE	TOLERANCES: UNLESS OTHERWISE SPECIFIED		ANGLES ±.5°		W1-101F OUTLINE	
ALL INFORMATION SHOWN ON THIS SPECIFICATION IS PROPRIETARY INFORMATION OF ANRITSU COMPANY	0 PLACES	SURFACE FINISH		N7	FSCM NO.	20944
	1 PLACES	FINISH			DRAWING NO.	63772
DO NOT SCALE DRAWING	SCALE		1/X	UNDER ECN CONTROL	DATE	10/04
	BY		PL	M.E	REV	A
	DATE		10/04	SHEET		1 OF 1