

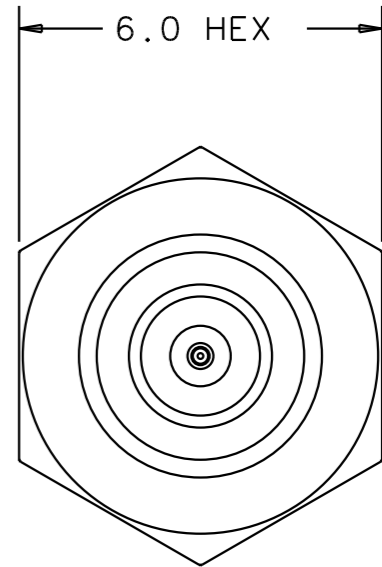
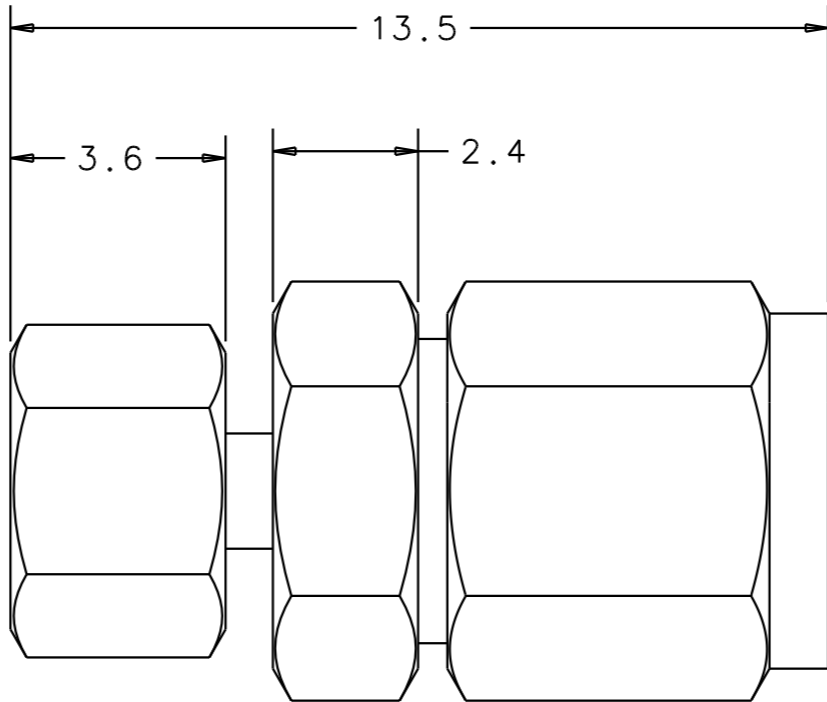
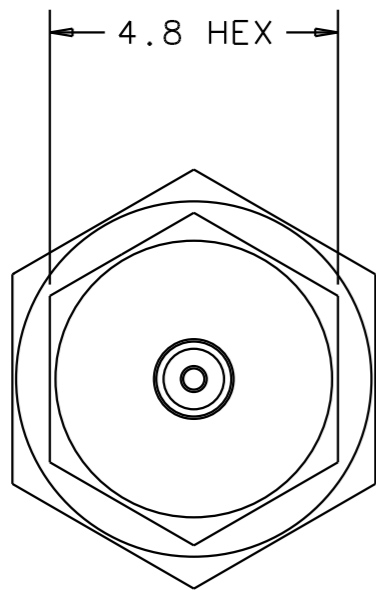
1

2

3

4

ZONE	REV	DESCRIPTION OF REVISION	ECN NO.	BY	DATE	APPROVED
	A	INITIAL ISSUE	N/A	AT	10/27/04	AT



NOTES:

1. ELECTRICAL

- 1.1. FREQUENCY RANGE: DC TO 110 GHZ
- 1.2. IMPEDANCE: 50 OHMS
- 1.3. VSWR: 1.24 TYPICAL

2. MECHANICAL

- 2.1. FRONTSIDE PIN DEPTH: 0 TO 0.076 MM MAXIMUM
- 2.2. COUPLING NUT TIGHTENING TORQUE: 4 IN-LB MAXIMUM

3. MATERIALS

- 3.1. OUTER CONDUCTOR: PASSIVATED STAINLESS STEEL
- 3.2. CENTER CONDUCTOR: BERYLLIUM-COPPER, GOLD PLATED OVER NICKEL PER MIL-G-45204C
- 3.3. COUPLING NUT: PASSIVATED STAINLESS STEEL
- 3.4. SLEEVE: BERYLLIUM-COPPER, GOLD PLATED OVER NICKEL PER MIL-G-45204C
- 3.5. LOCK SCREW: PASSIVATED STAINLESS STEEL

DIMENSIONS ARE FOR REFERENCE ONLY

UNLESS OTHERWISE SPECIFIED, ALL DIMENSIONS ARE IN MILLIMETERS (mm)	DRAWN	A. THOMAS	DATE	10/04	MATERIAL :	
	CHECKED	A. SHARMA	DATE	10/04	Anritsu 490 JARVIS DRIVE MORGAN HILL, CA. 95037	
APPROVED	A. THOMAS	DATE	10/04	TITLE		
SEE PRODUCT STRUCTURE	TOLERANCES:		UNLESS OTHERWISE SPECIFIED		W1-101M OUTLINE	
ALL INFORMATION SHOWN ON THIS SPECIFICATION IS PROPRIETARY INFORMATION OF ANRITSU COMPANY	0 PLACES	ANGLES ±.5°		FSCM NO.		20944
	1 PLACES	SURFACE FINISH		DRAWING NO.		63771
DO NOT SCALE DRAWING	2 PLACES	FINISH		REV		A
	SCALE		1/X		UNDER ECN CONTROL	
		DATE		10/04		BY
		M.E		PL		SHEET 1 of 1