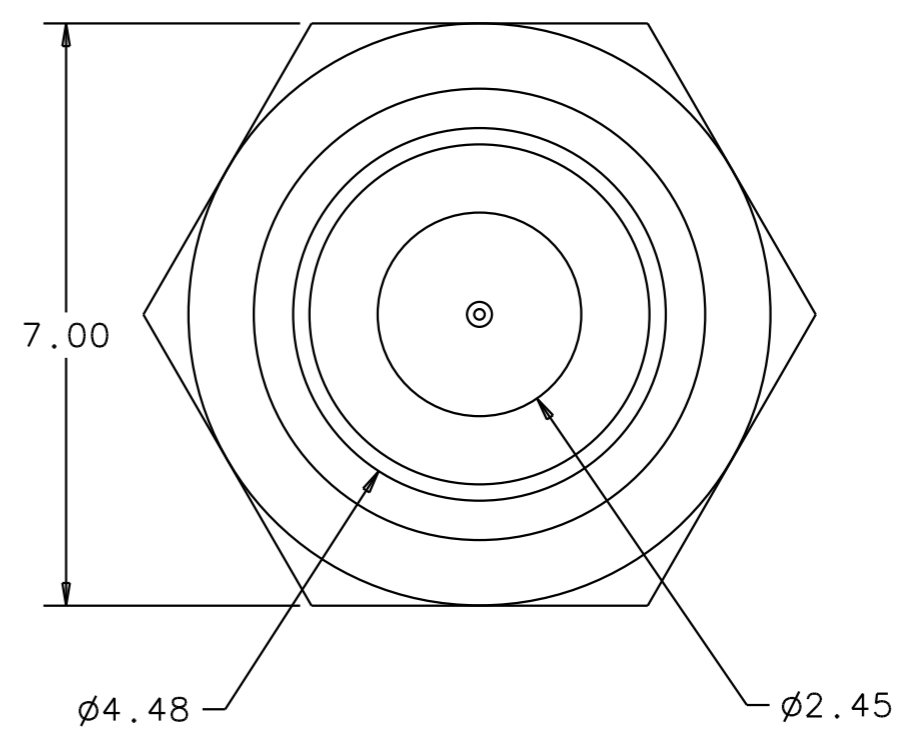
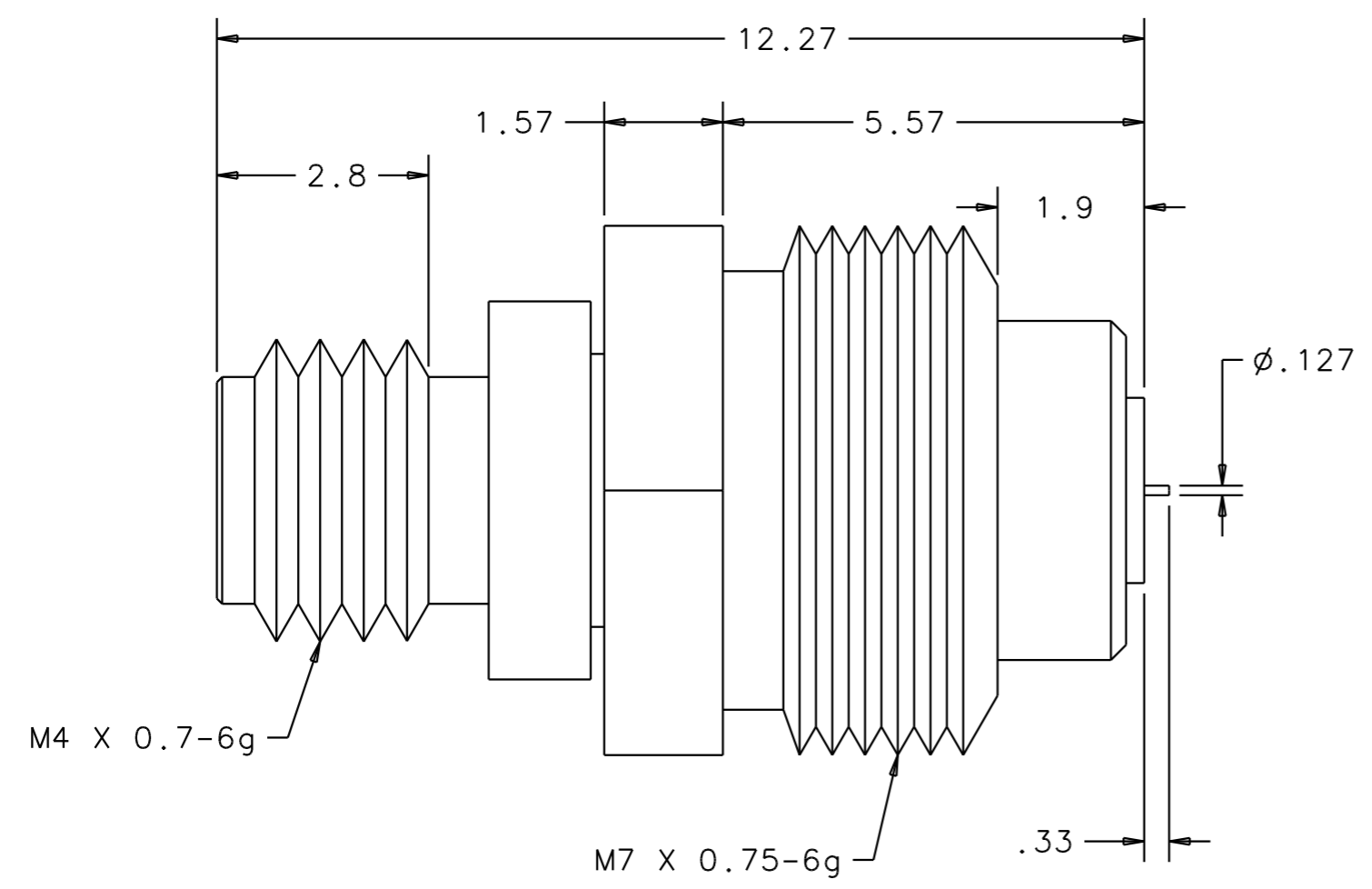


ZONE	REV	DESCRIPTION OF REVISION	ECN NO.	BY	DATE	APPROVED
	A	INITIAL ISSUE	N/A	AT	05/03	AT
	B	ADDED NOTED REVISED TOL BLK	MC5022	AT	01/05	AT



- NOTES:
1. ELECTRICAL
 - 1.1. FREQUENCY RANGE: DC TO 110 GHZ
 - 1.2. IMPEDANCE: 50 OHMS
 - 1.3. INSERTION LOSS: 0.70 DB TYPICAL
 - 1.4. VSWR: 1.38 TYPICAL
 - 1.5. INSULATION RESISTANCE: > 1200 M OHMS
 - 1.6. CENTER CONDUCTOR CONTACT RESISTANCE: 6 MILLI OHMS TYPICAL
 - 1.7. MAXIMUM POWER CW: 6 W
 2. MECHANICAL
 - 2.1. FRONTSIDE PIN DEPTH: 0 TO 0.076 MM MAXIMUM
 - 2.2. BACKSIDE PIN PROTRUSION: 0.33 MM TYPICAL
 - 2.3. COUPLING NUT TIGHTENING TORQUE: 4 IN-LB MAXIMUM
 - 2.4. TORQUE W1 CONNECTOR INSTALLATION: 5 IN-LB MAXIMUM
 3. HERMETICITY: 1 X 10⁻⁸ STD CC HE/SEC AT 1 ATMOSPHERE DIFFERENTIAL
 4. OPERATING TEMPERATURE: 0° TO +85° C
 5. ENVIRONMENTAL
 - 5.1. STORAGE TEMPERATURE: -54° TO +125° C
 - 5.2. TEMPERATURE SHOCK: 25° C TO -40° AND 25° TO +125° C, METHOD 107G, CONDITION B
 - 5.3. HUMIDITY: 95% AT 40° C, 96 HOURS, TEST 103B, CONDITION B
 - 5.4. MECHANICAL SHOCK: 100 GRAM PEAK SAWTOOTH, METHOD 213, TEST CONDITION I
 - 5.5. VIBRATION: SINEWAVE: 10 HZ TO 2000 HZ, 0.06" DA, METHOD 204, TEST CONDITION D. RANDOM: 50 HZ TO 2000 HZ, 11.6 GRMS, PWR SPECTRAL DENSITY 0.1 GRMS²/HZ, METHOD 214, TEST CONDITION I, LETTER D
 - 5.6. SALT SPRAY: 5% CONCENTRATION FOR 48 HOURS, METHOD 101D, CONDITION B
 - 5.7. VOLTAGE WITHSTANDING: 500 VAC RMS, 60 SECONDS, METHOD 301
 6. MATERIALS
 - 6.1. OUTER CONDUCTOR: BERYLLIUM-COPPER, GOLD PLATED OVER NICKEL PER MIL-G-45204C
 - 6.2. CENTER CONDUCTOR: BERYLLIUM-COPPER, GOLD PLATED OVER NICKEL PER MIL-G-45204C
 - 6.3. GLASS BEAD CENTER PIN: KOVAR, GOLD PLATED OVER NICKEL PER MIL-G-45204C
 - 6.4. GLASS BEAD OUTER CONDUCTOR: KOVAR, GOLD PLATED OVER NICKEL PER MIL-G-45204C
 - 6.5. GLASS BEAD DIELECTRIC: CORNING 7070 GLASS
 - 6.6. PLASTIC SUPPORT BEAD DIELECTRIC: PROPRIETARY

DIMENSIONS ARE FOR REFERENCE ONLY

UNLESS OTHERWISE SPECIFIED, ALL DIMENSIONS ARE IN MILLIMETERS (mm)	DRAWN A. THOMAS	DATE 12/02	MATERIAL:		
	CHECKED A. SHARMA	DATE 12/02	490 JARVIS DRIVE MORGAN HILL, CA. 95037		
	APPROVED A. THOMAS	DATE 12/02			
SEE PRODUCT STRUCTURE	TOLERANCES: UNLESS OTHERWISE SPECIFIED		TITLE		
ALL INFORMATION SHOWN ON THIS SPECIFICATION IS PROPRIETARY INFORMATION OF ANRITSU COMPANY	1 PLACES	ANGLES	W1-102F OUTLINE		
	2 PLACES	SURFACE FINISH			
	3 PLACES	FINISH			
DO NOT SCALE DRAWING	N/A	FSCM NO. 20944	DRAWING NO. 60053	REV B	
		SCALE 1/X	UNDER ECN CONTROL 06/03	DATE 06/03 BY HS M.E	SHEET 1 OF 1