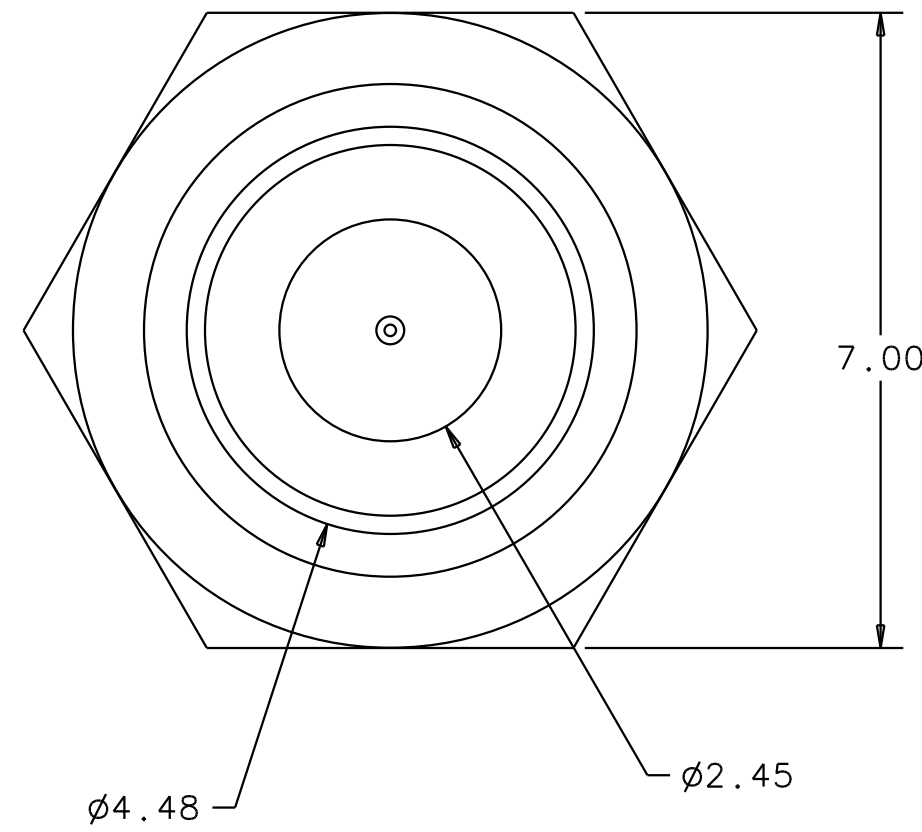


ZONE	REV	DESCRIPTION OF REVISION	ECN NO.	BY	DATE	APPROVED
	A	INITIAL ISSUE	N/A	AT	06/03	AT
	B	ADDED NOTES REVISED TOL BLK	MC5022	AT	01/05	AT



- NOTES:
- ELECTRICAL
    - FREQUENCY RANGE: DC TO 110 GHZ
    - IMPEDANCE: 50 OHMS
    - INSERTION LOSS: 0.70 DB TYPICAL
    - VSWR: 1.38 TYPICAL
    - INSULATION RESISTANCE: > 1200 M OHMS
    - CENTER CONDUCTOR CONTACT RESISTANCE: 6 MILLI OHMS TYPICAL
    - MAXIMUM POWER CW: 6 W
  - MECHANICAL
    - FRONTSIDE PIN DEPTH: 0 TO 0.076 MM MAXIMUM
    - BACKSIDE PIN PROTRUSION: 0.33 MM TYPICAL
    - COUPLING NUT TIGHTENING TORQUE: 4 IN-LB MAXIMUM
    - TORQUE W1 CONNECTOR INSTALLATION: 5 IN-LB MAXIMUM
  - HERMETICITY: 1 X 10<sup>-8</sup> STD CC HE/SEC AT 1 ATMOSPHERE DIFFERENTIAL
  - OPERATING TEMPERATURE: 0° TO +85° C
  - ENVIRONMENTAL
    - STORAGE TEMPERATURE: -54° TO +125° C
    - TEMPERATURE SHOCK: 25° C TO -40° AND 25° TO +125° C, METHOD 107G, CONDITION B
    - HUMIDITY: 95% AT 400 C, 96 HOURS, TEST 103B, CONDITION B
    - MECHANICAL SHOCK: 100 GRAM PEAK SAWTOOTH, METHOD 213, TEST CONDITION I
    - VIBRATION: SINEWAVE: 10 HZ TO 2000 HZ, 0.06" DA, METHOD 204, TEST CONDITION D. RANDOM: 50 HZ TO 2000 HZ, 11.6 GRMS, PWR SPECTRAL DENSITY 0.1 GRMS<sup>2</sup>/HZ, METHOD 214, TEST CONDITION I, LETTER D
    - SALT SPRAY: 5% CONCENTRATION FOR 48 HOURS, METHOD 101D, CONDITION B
    - VOLTAGE WITHSTANDING: 500 VAC RMS, 60 SECONDS, METHOD 301
  - MATERIALS
    - OUTER CONDUCTOR: BERYLLIUM-COPPER, GOLD PLATED OVER NICKEL PER MIL-G-45204C
    - CENTER CONDUCTOR: BERYLLIUM-COPPER, GOLD PLATED OVER NICKEL PER MIL-G-45204C
    - COUPLING NUT: PASSIVATED STAINLESS STEEL
    - GLASS BEAD CENTER PIN: KOVAR, GOLD PLATED OVER NICKEL PER MIL-G-45204C
    - GLASS BEAD OUTER CONDUCTOR: KOVAR, GOLD PLATED OVER NICKEL PER MIL-G-45204C
    - GLASS BEAD DIELECTRIC: CORNING 7070 GLASS
    - PLASTIC SUPPORT BEAD DIELECTRIC: PROPRIETARY

DIMENSIONS ARE FOR REFERENCE ONLY

UNLESS OTHERWISE SPECIFIED, ALL DIMENSIONS ARE IN MILLIMETERS (mm)	DRAWN A. THOMAS	DATE 05/03	MATERIAL:		
	CHECKED A. SHARMA	DATE 05/03	<b>Anritsu</b> 490 JARVIS DRIVE MORGAN HILL, CA. 95037		
APPROVED A. THOMAS	DATE 05/03	TITLE			
SEE PRODUCT STRUCTURE	TOLERANCES: UNLESS OTHERWISE SPECIFIED		W1-102M OUTLINE		
ALL INFORMATION SHOWN ON THIS SPECIFICATION IS PROPRIETARY INFORMATION OF ANRITSU COMPANY	1 PLACES ANGLES	SURFACE FINISH <input checked="" type="checkbox"/> N7	FSCM NO. 20944	DRAWING NO. 61063	REV B
	2 PLACES		3 PLACES	SCALE 1/X	UNDER ECN CONTROL 06/03 BY HS M.E
DO NOT SCALE DRAWING	FINISH				