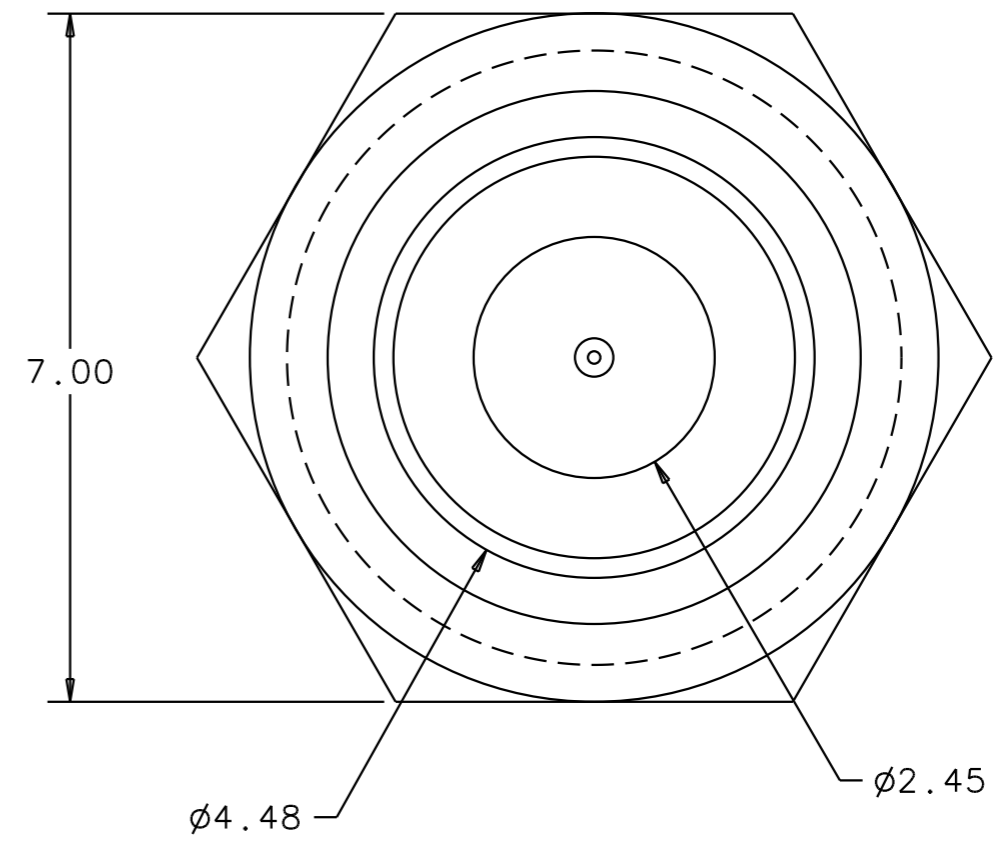
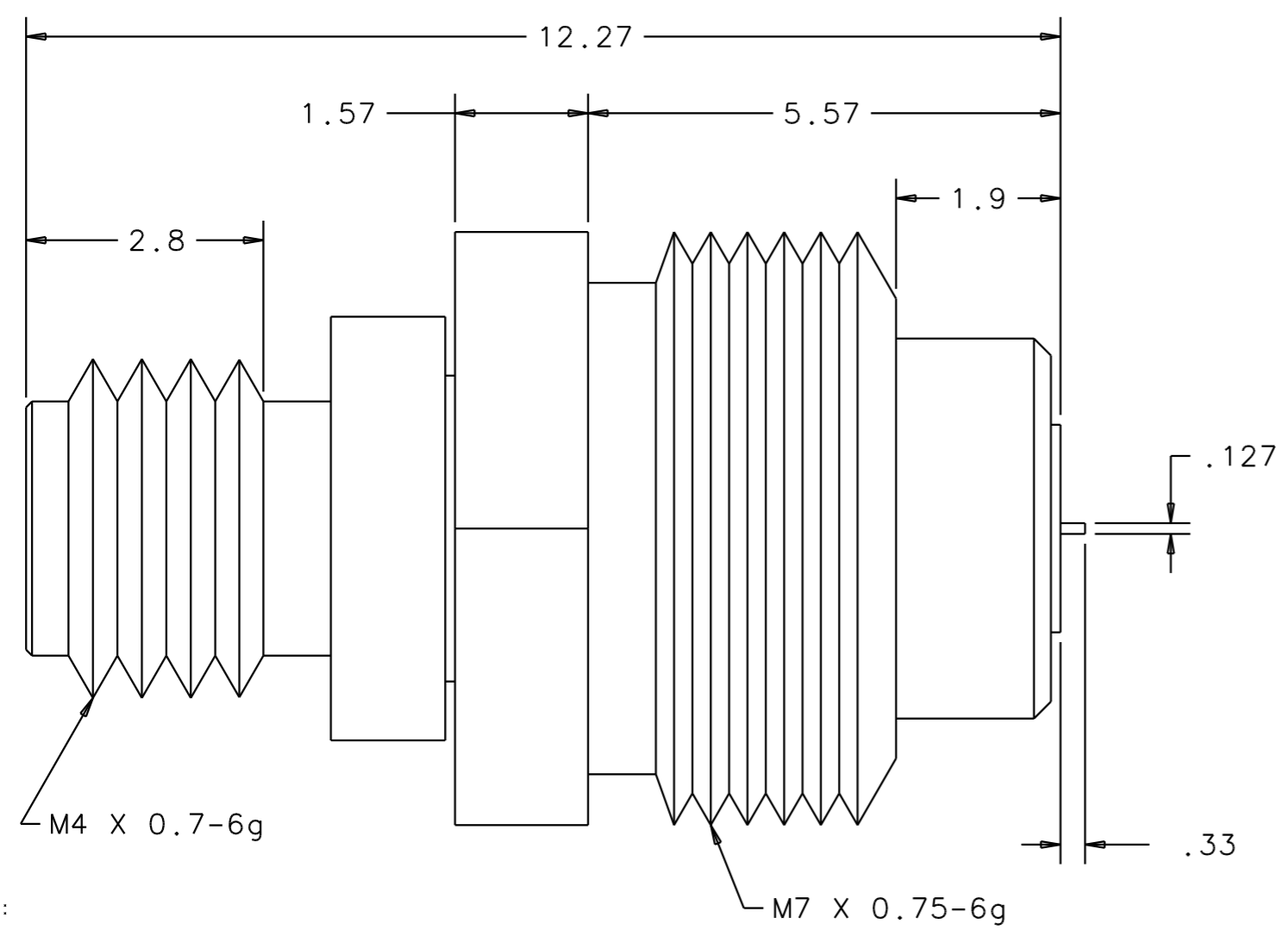


ZONE	REV	DESCRIPTION OF REVISION	ECN NO.	BY	DATE	APPROVED
	A	INITIAL ISSUE	N/A	AT	01/04	AT
	B	ADDED NOTED REVISED TOL BLK	MC5022	AT	01/05	AT



NOTES:

1. ELECTRICAL
 - 1.1. FREQUENCY RANGE: DC TO 110 GHZ
 - 1.2. IMPEDANCE: 50 OHMS
 - 1.3. INSERTION LOSS: 0.70 DB TYPICAL
 - 1.4. VSWR: 1.38 TYPICAL
 - 1.5. INSULATION RESISTANCE: > 1200 M OHMS
 - 1.6. CENTER CONDUCTOR CONTACT RESISTANCE: 6 MILLI OHMS TYPICAL
 - 1.7. MAXIMUM POWER CW: 6 W
2. MECHANICAL
 - 2.1. FRONTSIDE PIN DEPTH: 0 TO 0.076 MM MAXIMUM
 - 2.2. BACKSIDE PIN PROTRUSION: 0.33 MM TYPICAL
 - 2.3. COUPLING NUT TIGHTENING TORQUE: 4 IN-LB MAXIMUM
 - 2.4. TORQUE W1 CONNECTOR INSTALLATION: 5 IN-LB MAXIMUM
3. OPERATING TEMPERATURE: 0° TO +85° C
4. ENVIRONMENTAL
 - 4.1. STORAGE TEMPERATURE: -54° TO +125° C
 - 4.2. TEMPERATURE SHOCK: 25° C TO -40° AND 25° TO +125° C, METHOD 107G, CONDITION B
 - 4.3. HUMIDITY: 95% AT 40° C, 96 HOURS, TEST 103B, CONDITION B
 - 4.4. MECHANICAL SHOCK: 100 GRAM PEAK SAWTOOTH, METHOD 213, TEST CONDITION I
 - 4.5. VIBRATION: SINEWAVE: 10 HZ TO 2000 HZ, 0.06" DA, METHOD 204, TEST CONDITION D. RANDOM: UNLESS OTHERWISE SPECIFIED, ALL DIMENSIONS ARE IN MILLIMETERS (mm)
 - 4.6. SALT SPRAY: 5% CONCENTRATION FOR 48 HOURS, METHOD 101D, CONDITION B
 - 4.7. VOLTAGE WITHSTANDING: 500 VAC RMS, 60 SECONDS, METHOD 301
5. MATERIALS
 - 5.1. OUTER CONDUCTOR: BERYLLIUM-COPPER, GOLD PLATED OVER NICKEL PER MIL-G-45204C
 - 5.2. CENTER CONDUCTOR: BERYLLIUM-COPPER, GOLD PLATED OVER NICKEL PER MIL-G-45204C
 - 5.3. PLASTIC SUPPORT BEAD DIELECTRIC: PROPRIETARY

DIMENSIONS ARE FOR REFERENCE ONLY

DRAWN A. THOMAS DATE 09/03	MATERIAL:	
	Anritsu 490 JARVIS DRIVE MORGAN HILL, CA. 95037	
CHECKED A. SHARMA DATE 09/03	TITLE W1-105F OUTLINE	
APPROVED A. THOMAS DATE 09/03	FSCM NO. 20944	DRAWING NO. 62238
TOLERANCES: UNLESS OTHERWISE SPECIFIED 0 PLACES ANGLES ±.5° 1 PLACES SURFACE FINISH N7 2 PLACES SURFACE FINISH N7 FINISH	SCALE 1/X	UNDER ECN CONTROL 10/03 BY HS M.E DATE
	SHEET 1 OF 1	

UNLESS OTHERWISE SPECIFIED, ALL DIMENSIONS ARE IN MILLIMETERS (mm)

SEE PRODUCT STRUCTURE
ALL INFORMATION SHOWN ON THIS SPECIFICATION IS PROPRIETARY INFORMATION OF ANRITSU COMPANY

DO NOT SCALE DRAWING