

Installation Guide

Rack Mount Accessory Installation Guide

for Anritsu Handheld Instruments

Thick-Case

Thin-Case

Compact-Case



Anritsu

WARRANTY

The Anritsu product listed on the title page is warranted against defects in materials and workmanship for one year from the date of shipment.

Anritsu's obligation covers repairing or replacing products which prove to be defective during the warranty period. Buyers shall prepay transportation charges for equipment returned to Anritsu for warranty repairs. Obligation is limited to the original purchaser. Anritsu is not liable for consequential damages.

LIMITATION OF WARRANTY

The foregoing warranty does not apply to Anritsu connectors that have failed due to normal wear. Also, the warranty does not apply to defects resulting from improper or inadequate maintenance, unauthorized modification or misuse, or operation outside of the environmental specifications of the product. No other warranty is expressed or implied, and the remedies provided herein are the Buyer's sole and exclusive remedies.

DISCLAIMER OF WARRANTY

DISCLAIMER OF WARRANTIES. TO THE MAXIMUM EXTENT PERMITTED BY APPLICABLE LAW, ANRITSU COMPANY AND ITS SUPPLIERS DISCLAIM ALL WARRANTIES, EITHER EXPRESSED OR IMPLIED, INCLUDING, BUT NOT LIMITED TO, IMPLIED WARRANTIES OF MERCHANTABILITY AND FITNESS FOR A PARTICULAR PURPOSE, WITH REGARD TO THE PRODUCT. THE USER ASSUMES THE ENTIRE RISK OF USING THE PRODUCT. ANY LIABILITY OF PROVIDER OR MANUFACTURER WILL BE LIMITED EXCLUSIVELY TO PRODUCT REPLACEMENT.

NO LIABILITY FOR CONSEQUENTIAL DAMAGES. TO THE MAXIMUM EXTENT PERMITTED BY APPLICABLE LAW, IN NO EVENT SHALL ANRITSU COMPANY OR ITS SUPPLIERS BE LIABLE FOR ANY SPECIAL, INCIDENTAL, INDIRECT, OR CONSEQUENTIAL DAMAGES WHATSOEVER (INCLUDING, WITHOUT LIMITATION, DAMAGES FOR LOSS OF BUSINESS PROFITS, BUSINESS INTERRUPTION, LOSS OF BUSINESS INFORMATION, OR ANY OTHER PECUNIARY LOSS) ARISING OUT OF THE USE OF OR INABILITY TO USE THE PRODUCT, EVEN IF ANRITSU COMPANY HAS BEEN ADVISED OF THE POSSIBILITY OF SUCH DAMAGES. BECAUSE SOME STATES AND JURISDICTIONS DO NOT ALLOW THE EXCLUSION OR LIMITATION OF LIABILITY FOR CONSEQUENTIAL OR INCIDENTAL DAMAGES, THE ABOVE LIMITATION MAY NOT APPLY TO YOU.

TRADEMARK ACKNOWLEDGMENTS

BTS Master, Spectrum Master, VNA Master, Site Master, and Cell Master are all trademarks of Anritsu Company.

NOTICE

Anritsu Company has prepared this manual for use by Anritsu Company personnel and customers as a guide for the proper installation, operation and maintenance of Anritsu Company equipment and computer programs. The drawings, specifications, and information contained herein are the property of Anritsu Company, and any unauthorized use or disclosure of these drawings, specifications, and information is prohibited; they shall not be reproduced, copied, or used in whole or in part as the basis for manufacture or sale of the equipment or software programs without the prior written consent of Anritsu Company.

UPDATES

Updates, if any, can be downloaded from the Documents area of the Anritsu Website at:
<http://www.anritsu.com>

For the latest service and sales contact information in your area, please visit:
<http://www.anritsu.com/contact.asp>

Notes On Export Management

This product and its manuals may require an Export License or approval by the government of the product country of origin for re-export from your country.

Before you export this product or any of its manuals, please contact Anritsu Company to confirm whether or not these items are export-controlled.

When disposing of export-controlled items, the products and manuals need to be broken or shredded to such a degree that they cannot be unlawfully used for military purposes.

Mercury Notification

This product contains no mercury.

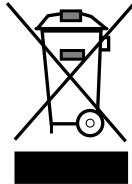
Restriction of Hazardous Substances (RoHS) Directive

This product is fully RoHS compliant.



European Parliament and Council Directive 2002/96/EC

Equipment Marked with the crossed-out Wheelie Bin symbol complies with the European Parliament and Council Directive 2002/96/EC (the "WEEE Directive") in the European Union.



For Products placed on the EU market after August 13, 2005, please contact your local Anritsu representative at the end of the product's useful life to arrange disposal in accordance with your initial contract and the local law.

Chapter 1 — Installation

1-1 Introduction

This document provides instructions for mounting Anritsu handheld instruments into the Anritsu Rack Mount Accessory, part number 66864.

1-2 Instrument Mounting Dimensions

Table 1-1. Mounting Dimensions

Instrument Case Type	Case Depth
Thick	9.5 cm
Thin	8 cm
Compact	9.1 cm

1-3 Part Numbers

The Rack Mount Accessory, Anritsu part number 66864, includes three parts, which are: the Main Bracket (A), the Thin-Case Spacer (B), and the Compact-Case Bracket (C).

Table 1-2. Anritsu Part Numbers for Rack Mount Accessory

Part Number	Description	Label
66864	Assembly: NEXTGEN 76mm RCKMNT ASSY	
3-67748	Bracket: NEXTGEN 76mm RCKMNT BRKT	A
3-67749	Spacer: NEXTGEN 76mm RCKMNT SPCR	B
3-73379	Bracket: NEXTGEN CMPCT-CASE BRKT	C
10580-00338	Document: This Installation Guide	

1-4 Rack Mount Accessory Overview

Anritsu handheld instruments are held in place in the Rack Mount Accessory by 4 plastic latching brackets, which are held tight against the instrument bumpers or against the Compact-Case Bracket for Compact-Case instruments (9.1 cm thick).

The latching bracket tension is designed to prevent the latching brackets from sliding sideways, away from the instrument bumpers or from the Compact-Case Bracket (C). Test the mounted instrument to be sure that mounting tension meets your specifications. For tension adjustment, refer to the footnote [on page 1-3](#).

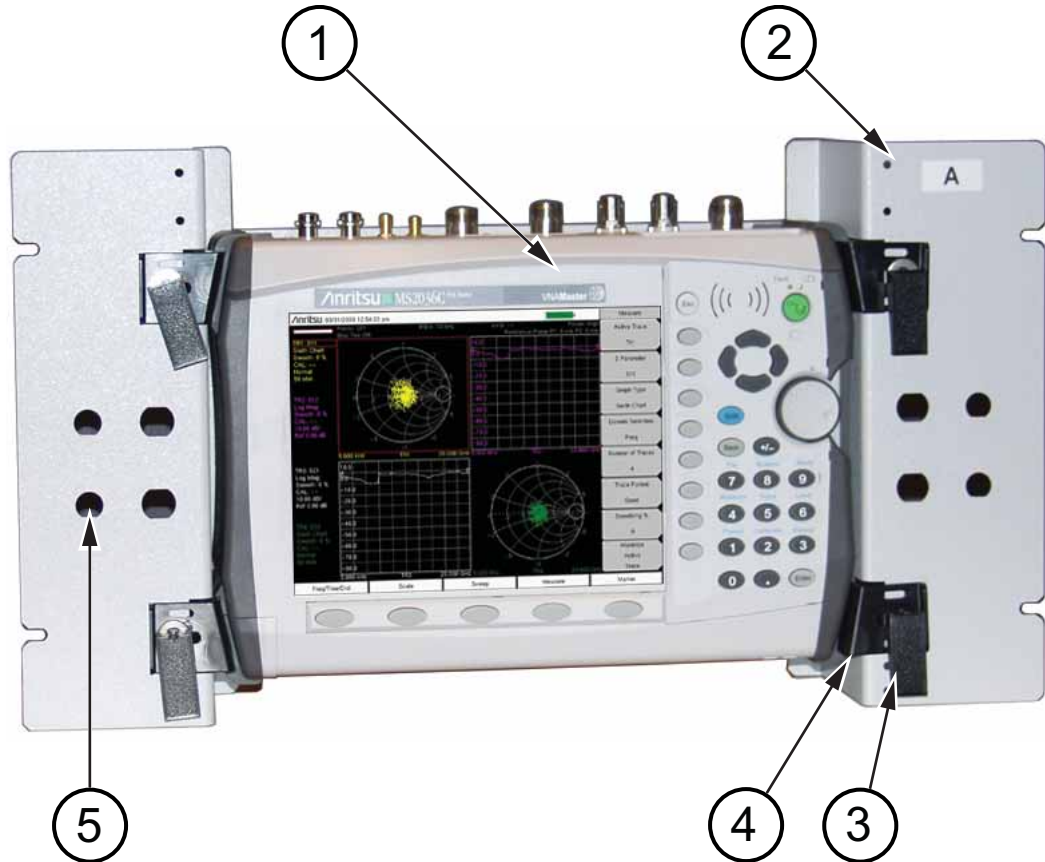


Figure 1-1. Handheld Instrument Mounted in Rack

1.	Sample thick-case instrument (MS2028C VNA Master) mounted in rack assembly
2.	Main Bracket for thick-case instruments (9.5 cm)
3.	Latch Handle (one of four)
4.	Plastic Bracket held tight by Latch Handle (one of four)
5.	Mounting Holes for additional connectors (refer to Step 7 on page 1-3)

1-5 Thick-Case Instrument (9.5 cm)

Mounting instructions for thick-case instruments:

Rack Mount Components	Sticker Label
1. Main Bracket with 4 Latches and 4 Brackets	A
2. Thin-Case Spacer	B
3. Compact-Case Bracket	C

1. Remove 2 screws (with straight-blade screw driver) from the carrying handle of your instrument and save handle for future use.
2. Save Compact-Case Bracket (C) (refer to [Figure 1-6 on page 1-8](#)) for future use.
3. Loosen the 2 thumb screws that hold Thin-Case Spacer (B) (refer to [Figure 1-4 on page 1-6](#)) to Main Bracket (A).
4. Slide up Thin-Case Spacer (B), remove, and save for future use.
5. Loosen the 4 latching brackets on the rack (refer to [Figure 1-2](#)) by lifting up the latch handles.¹
6. Push the left and right plastic latching brackets away from center.
7. Mount additional connectors (if needed) in the holes provided in Main Bracket (A).
Note: 4 large holes for Amphenol N and 4 small holes for Amphenol BNC.
8. Put instrument into Main Bracket (A), pushing against the back and resting on the ledge of Main Bracket (A). Note that the “A” label that is applied at the factory is at the top of the Main Bracket. Also note that the ledge is centered at the bottom of the main bracket. This ledge provides additional instrument support should the instrument and mounting assembly be subject to severe forces.
9. Position the 4 plastic latching brackets onto the case of the instrument. Push upward on the plastic of each latching bracket from the back side of the Main Bracket (A) in order to slide the latching bracket over the instrument bumper.
10. Push down the 4 latch handles to secure your instrument.¹
11. Mount Main Bracket (A) and attached instrument onto 19-inch rack.

1. To adjust latching bracket tension, pull handles up to loosen latching bracket, and then tighten or loosen by adjusting the hex screw on the back side of each latching bracket. This tension is designed to prevent the latching brackets from sliding sideways, away from the instrument bumpers. Test the mounted instrument to be sure that mounting tension meets your specifications.

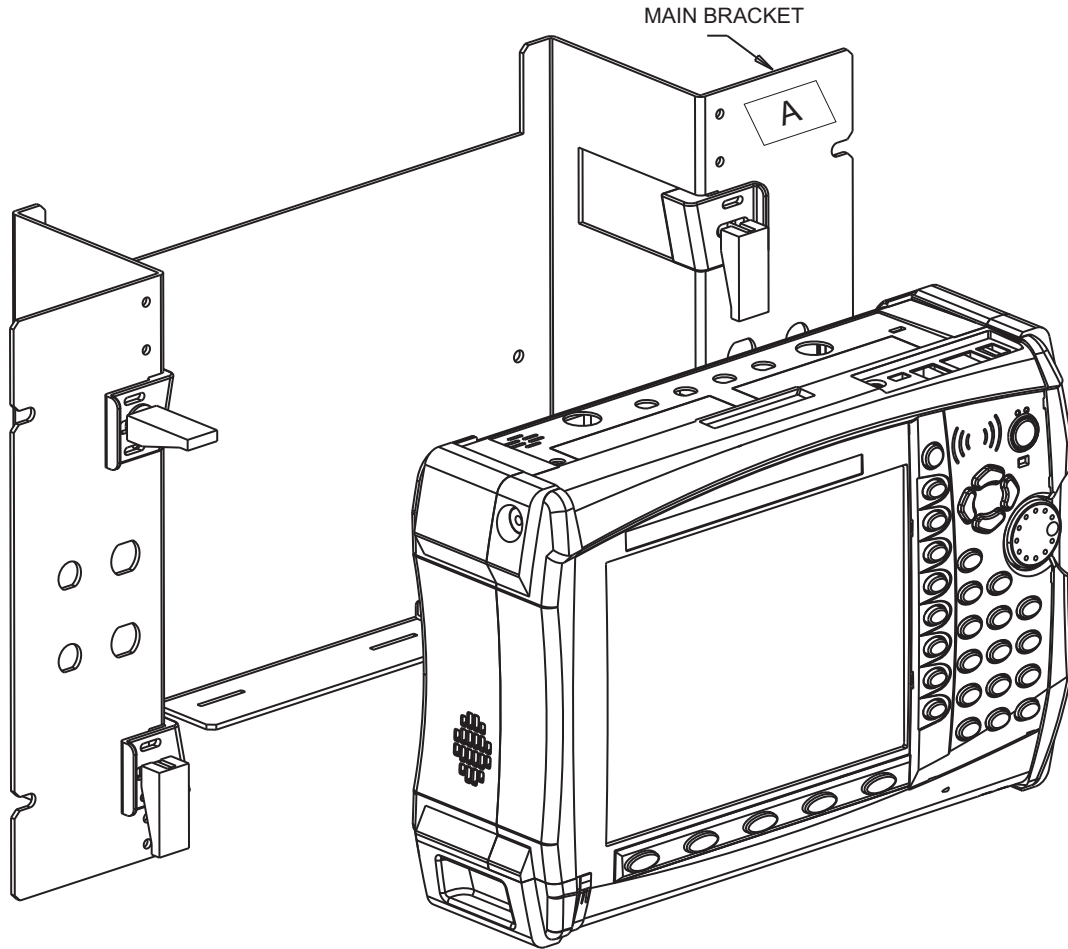


Figure 1-2. Thick-Case Rack Mount with Instrument

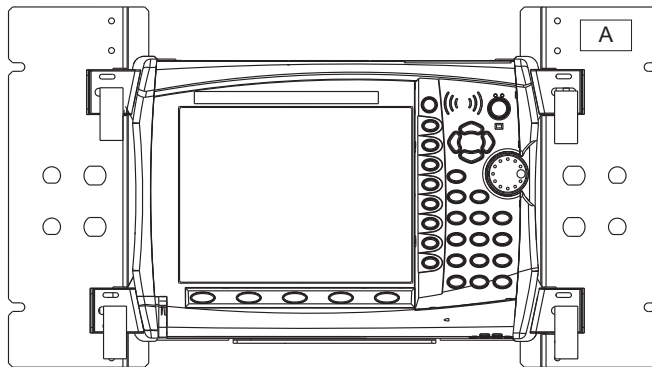


Figure 1-3. Instrument Mounted in Thick-Case Rack

1-6 Thin-Case Instrument (8 cm)

Mounting instructions for thin-case instruments:

Rack Mount Components	Sticker Label
1. Main Bracket with 4 Latches and 4 Brackets	A
2. Thin-Case Spacer	B
3. Compact-Case Bracket	C

1. Remove 2 screws (with straight-blade screw driver) from the carrying handle of your instrument and save handle for future use.
2. Save Compact-Case Bracket (C) (refer to [Figure 1-6](#)) for future use.
3. Ensure that Thin-Case Spacer (B) is resting on ledge of Main Bracket (A). If you are adding the Thin-Case Spacer (B) to the Main Bracket (A), then note that the “B” label that is applied at the factory is at the top of the Thin-Case Spacer (B).

The spacer has two mounting tabs that must be fitted into the slots in the ledge of the Main Bracket. The top of the spacer locks over the top edge of the Main Bracket.

4. Ensure the tightness of the thumb screws that hold Thin-Case Spacer (B) to Main Bracket (A). Refer to [Figure 1-4](#).
5. Loosen the 4 latching brackets by lifting up the latch handles.¹
6. Push the left and right plastic latching brackets away from center.
7. Mount additional connectors (if needed) in the holes provided in Main Bracket (A).
Note: 4 large holes for Amphenol N and 4 small holes for Amphenol BNC.
8. Put instrument into Main Bracket (A), pushing the back against Thin-Case Spacer (B) and resting the instrument on the ledge of Main Bracket (A). Note that the ledge is centered at the bottom of the main bracket. This ledge provides additional instrument support should the instrument and mounting assembly be subject to severe forces.
9. Position the 4 plastic latching brackets onto the case of the instrument. Push upward on the plastic of each latching bracket from the back side of the Main Bracket (A) in order to slide the latching bracket over the instrument bumper.
10. Push down the 4 latch handles to secure your instrument.¹
11. Mount Main Bracket (A) and attached instrument onto 19-inch rack.

1. To adjust latching bracket tension, pull handles up to loosen latching bracket, and then tighten or loosen by adjusting the hex screw on the back side of each latching bracket. This tension is designed to prevent the latching brackets from sliding sideways, away from the instrument bumpers. Test the mounted instrument to be sure that mounting tension meets your specifications.

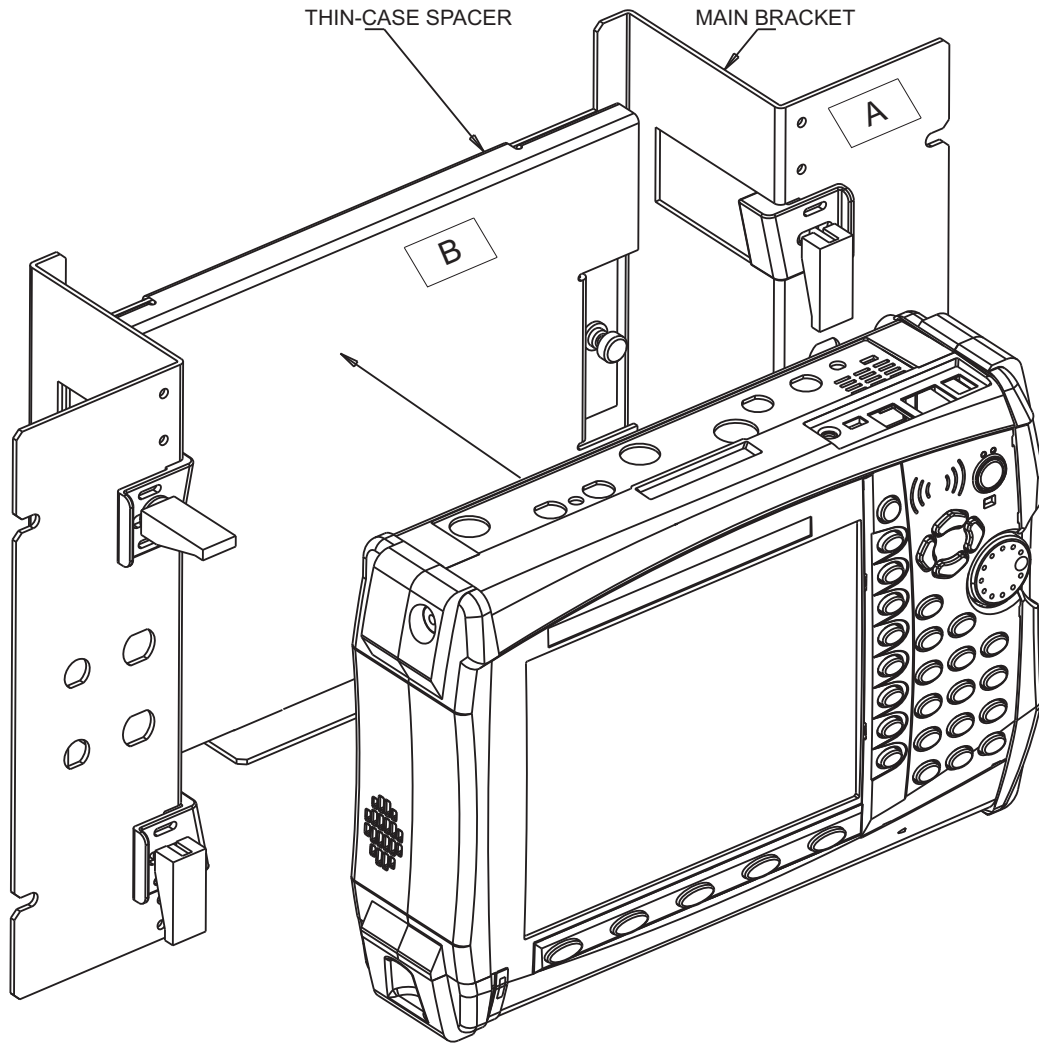


Figure 1-4. Thin-Case Rack Mount with Instrument

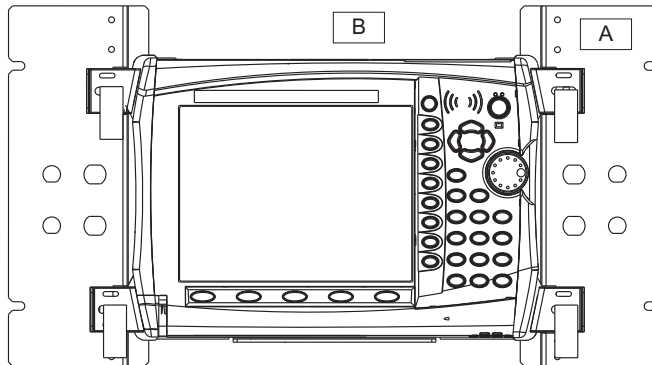


Figure 1-5. Instrument Mounted in Thin-Case Rack

1-7 Compact-Case Instrument (9.1 cm)

Mounting instructions for compact-case instruments:

Rack Mount Components	Sticker Label
1. Main Bracket with 4 Latches and 4 Brackets	A
2. Thin-Case Spacer	B
3. Compact-Case Bracket	C

1. Remove the 4 screws from instrument tilt bail (using a Phillips-head screw driver) and keep the screws for [Step 3](#).
2. Detach tilt bail from instrument and save tilt bail for future use.
3. Secure your instrument to the Compact-Case Bracket (C) with the 4 screws that were removed from the tilt bail in [Step 1](#). Refer to [Figure 1-6 on page 1-8](#). Note that the upper two holes are spaced wider apart than the bottom two holes due to the tilt bail mounting configuration. The “C” label that is applied at the factory is at the top of the Compact-Case Bracket (C).
4. Ensure that Thin-Case Spacer (B) is resting on the ledge of Main Bracket (A). Note that the ledge is centered at the bottom of the Main Bracket.
5. Ensure the tightness of the thumb screws that hold the Thin-Case Spacer (B) to the Main Bracket (A). Refer to [Figure 1-7 on page 1-9](#). If you are adding the Thin-Case Spacer (B) to the Main Bracket (A), then note that the “B” label that is applied at the factory is at the top of the Thin-Case Spacer (B). Refer to [Step 3 on page 1-5](#).
6. Loosen the 4 latching brackets by lifting up the latch handles.¹
7. Push the left and right plastic latching brackets away from center.
8. Mount additional connectors (if needed) in the holes provided in Main Bracket (A).
Note: 4 large holes for Amphenol N and 4 small holes for Amphenol BNC.
9. Slide instrument and attached Compact-Case Bracket (C) into Main Bracket (A), pushing against the Thin-Case Spacer (B) and resting on the ledge of Main Bracket (A). Note that the ledge is centered at the bottom of the Main Bracket. This ledge provides additional instrument support should the instrument and mounting assembly be subject to severe forces.
10. Position the 4 plastic latching brackets onto the Compact-Case Bracket (C). Push upward on the plastic of each latching bracket from the back side of the Main Bracket if necessary in order to slide each latching bracket over the Compact-Case Bracket (C).
11. Push down the 4 latch handles to secure your instrument.¹
12. Mount Main Bracket (A) with Thin-Case Spacer (B), Compact-Case Bracket (C), and attached instrument onto 19-inch rack.

1. To adjust latching bracket tension, pull handles up to loosen latching bracket, and then tighten or loosen by adjusting the hex screw on the back side of each latching bracket. This tension is designed to prevent the latching brackets from sliding sideways, away from the Compact-Case Bracket (C). Test the mounted instrument to be sure that mounting tension meets your specifications.

Mounting the Instrument

The upper holes are spaced wider than the lower holes due to the design of the tilt bail. Note that the “C” label is located at the top of the Compact-Case Bracket.

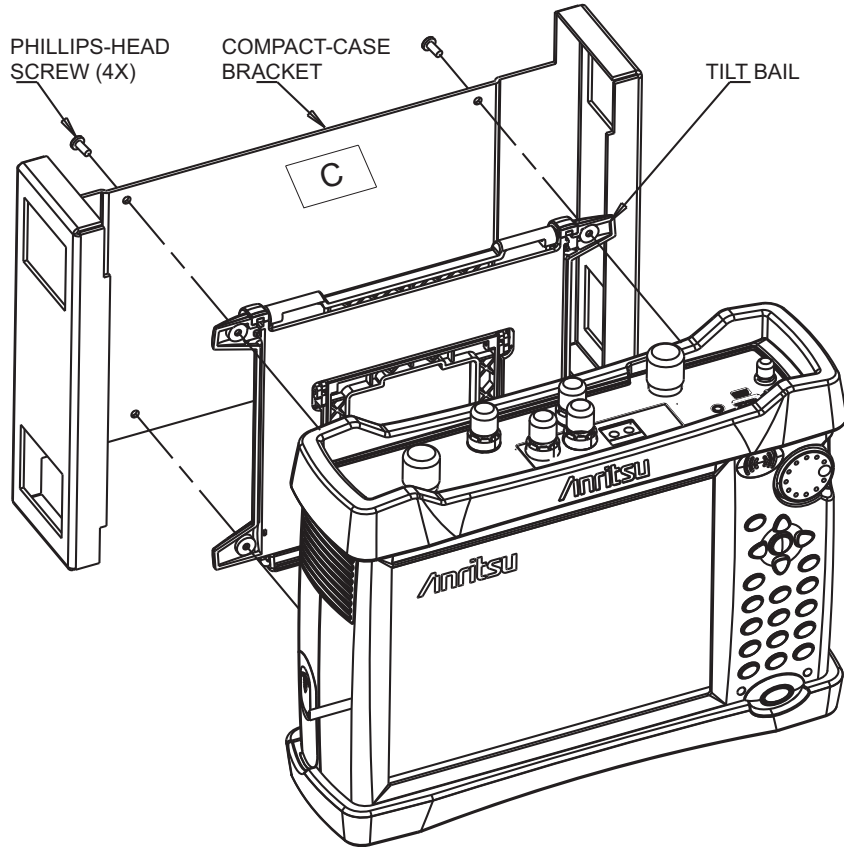


Figure 1-6. Compact-Case Rack Mount — Preparing the Instrument

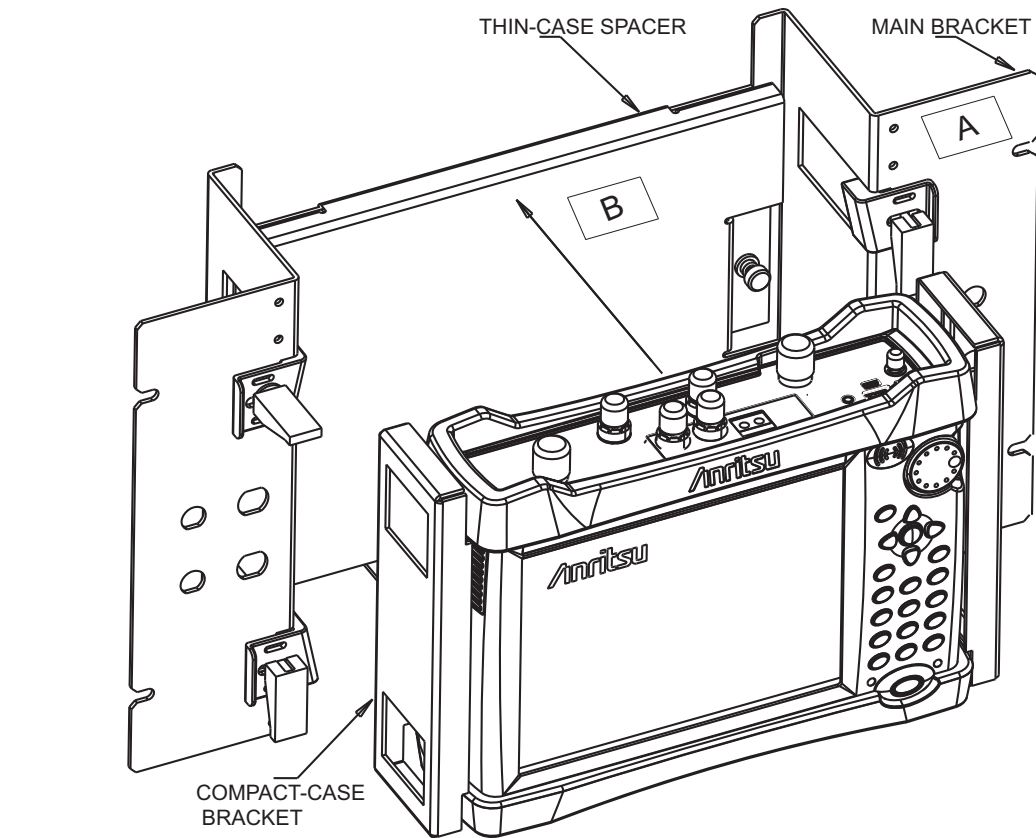


Figure 1-7. Compact-Case Rack Mount — Mounting the Instrument

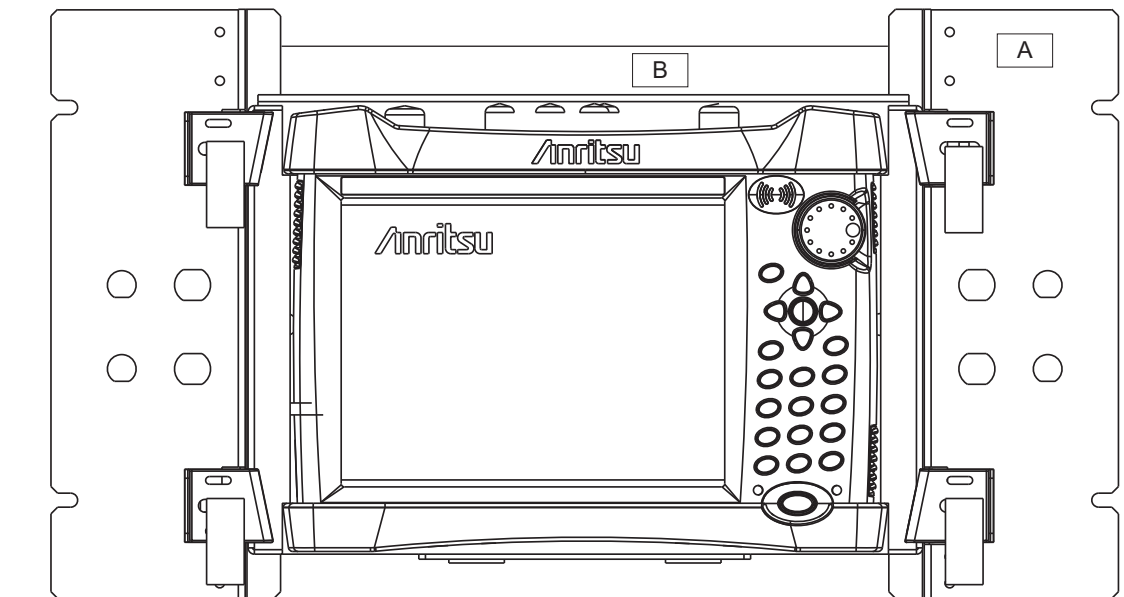


Figure 1-8. Instrument Mounted in Compact-Case Rack

1-8 Rack Mount Assembly Dimensions

Spacing of the openings in the mounting brackets and thin-case spacer are shown in the following three figures.

Main Bracket (A)

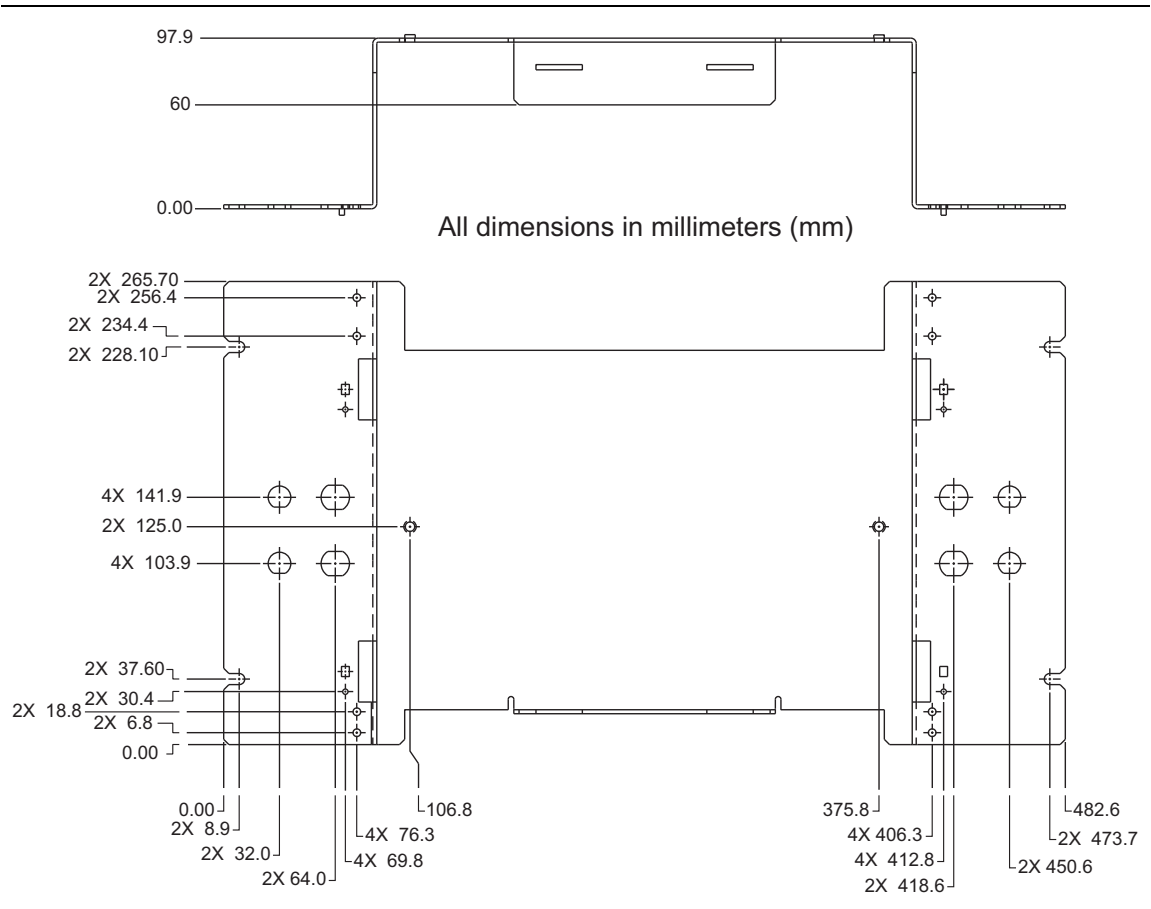


Figure 1-9. Main Bracket (A) Dimensions

Thin-Case Spacer (B)

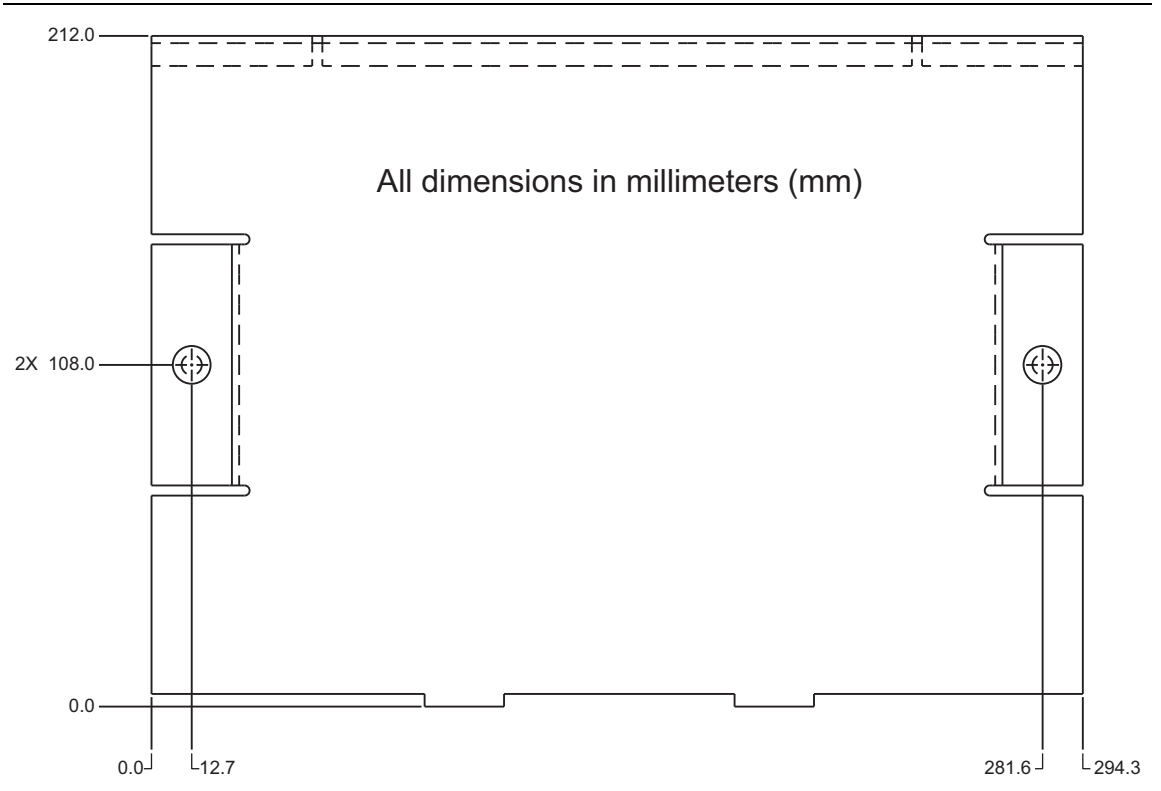


Figure 1-10. Thin-Case Spacer (B) Dimensions

Compact-Case Bracket (C)

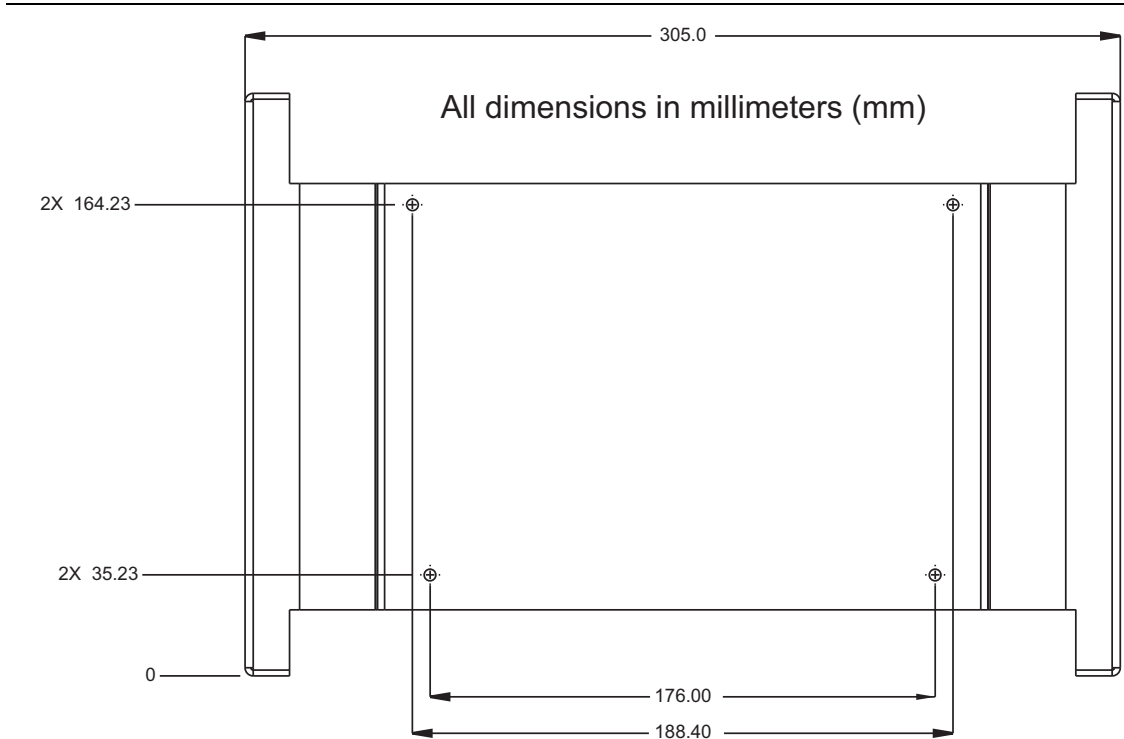



Figure 1-11. Compact-Case Bracket (C) Dimensions

Notes

Notes

Anritsu



 Anritsu prints on recycled paper with vegetable soybean oil ink.

Anritsu Company
490 Jarvis Drive
Morgan Hill, CA 95037-2809
USA
<http://www.anritsu.com>