

Connector Cleaning Instruction Sheet

1 INTRODUCTION

This instruction sheet provides cleaning instructions for ANRITSU micro-miniature precision connectors.

2 CLEANING INSTRUCTIONS

Connector interfaces — especially the outer conductors on the GPC7 and SMA/K/V connectors — should be kept clean and free of dirt and other debris.

Denatured alcohol is the recommended solvent. Figure 1 shows how to clean male and female connectors.

NOTE

Standard cotton swabs are too large to fit in the smaller connector types. Appropriately sized swabs can be purchased through a medical-lab-type supply center.

The following are some important tips on cleaning connectors:

- Use only denatured alcohol as a solvent.
- Always use an appropriate size of swab. (Tweezers and a small piece of cotton can also be used.)
- Gently move the swab around the center conductor.
- Never put lateral pressure on the connector's center pin; the center pin does not require cleaning.
- Verify that no foreign material remains in the connector after cleaning.
- Only dampen the swab. Do NOT saturate it.
- Verify that the center pin has not been bent or damaged.

Figure 2 shows how to clean connectors.

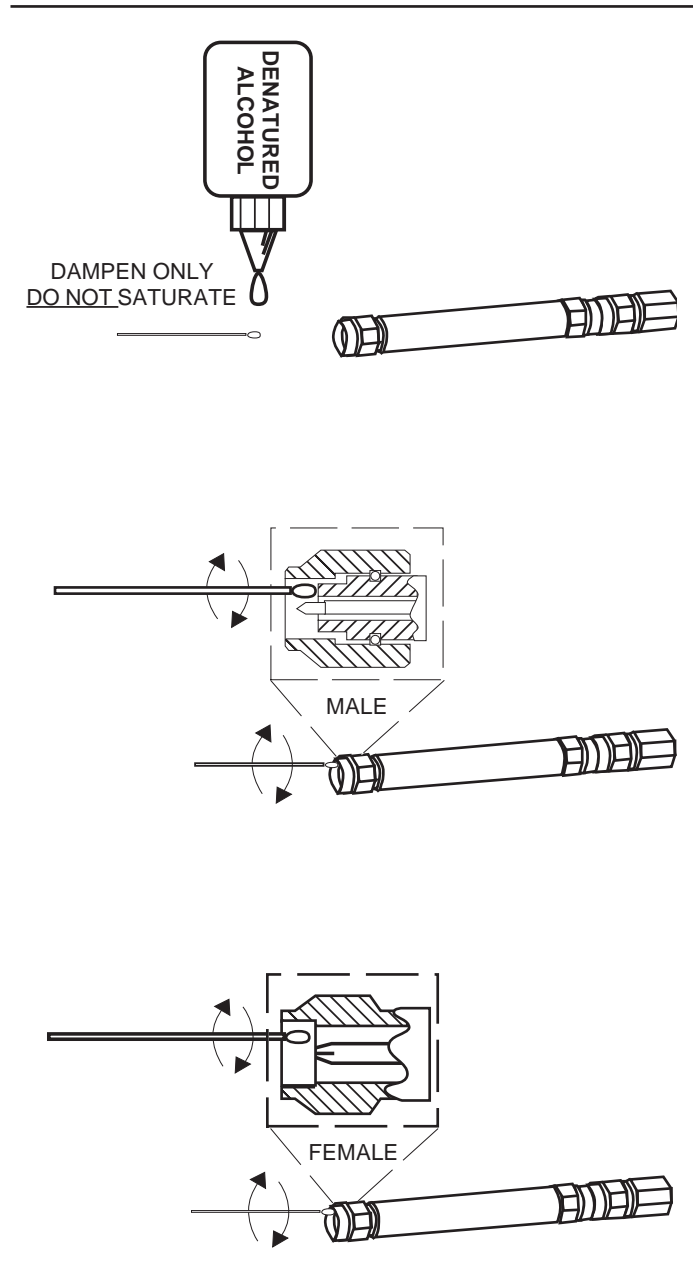
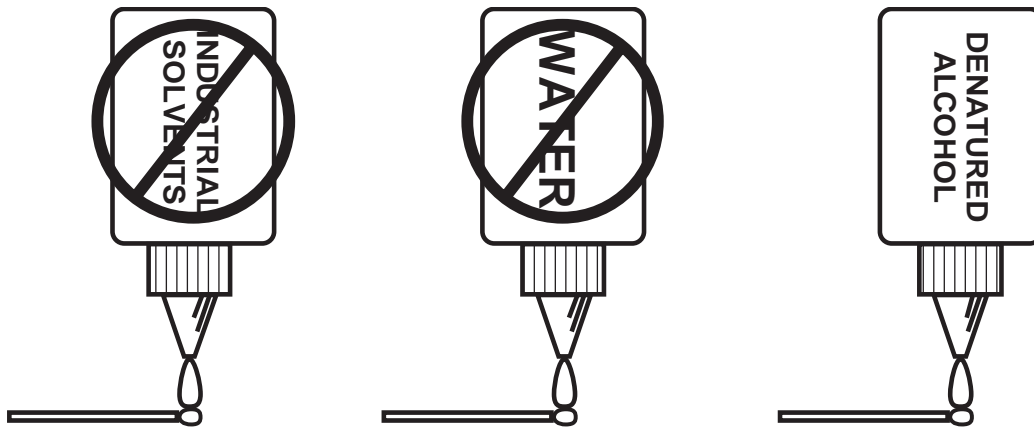
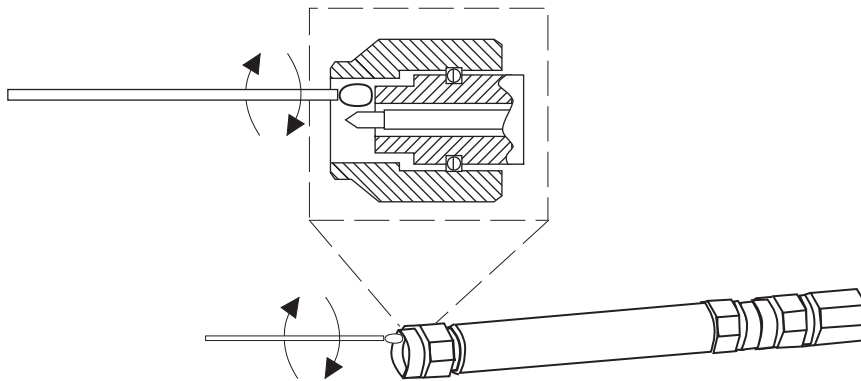


Figure 1. Cleaning Male and Female Connectors

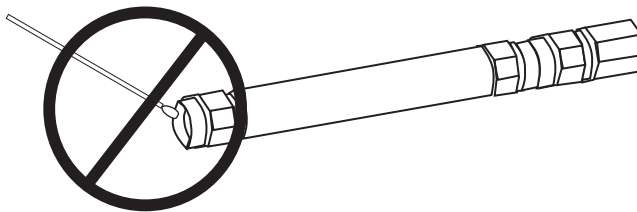
Anritsu



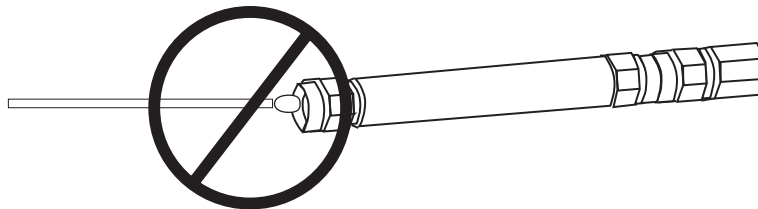
Do NOT use Industrial Solvents or Water on connector. Use only Denatured Alcohol.



Use only denatured alcohol and the proper size of cotton swab. Gently rotate the swab around the center pin being careful not to stress or bend the pin or you will damage the connector.



Do NOT put cotton swabs in at an angle, or you will damage the connectors.



Do NOT use too large of cotton swab, or you will damage the connectors.

Figure 2. How to Clean Connectors