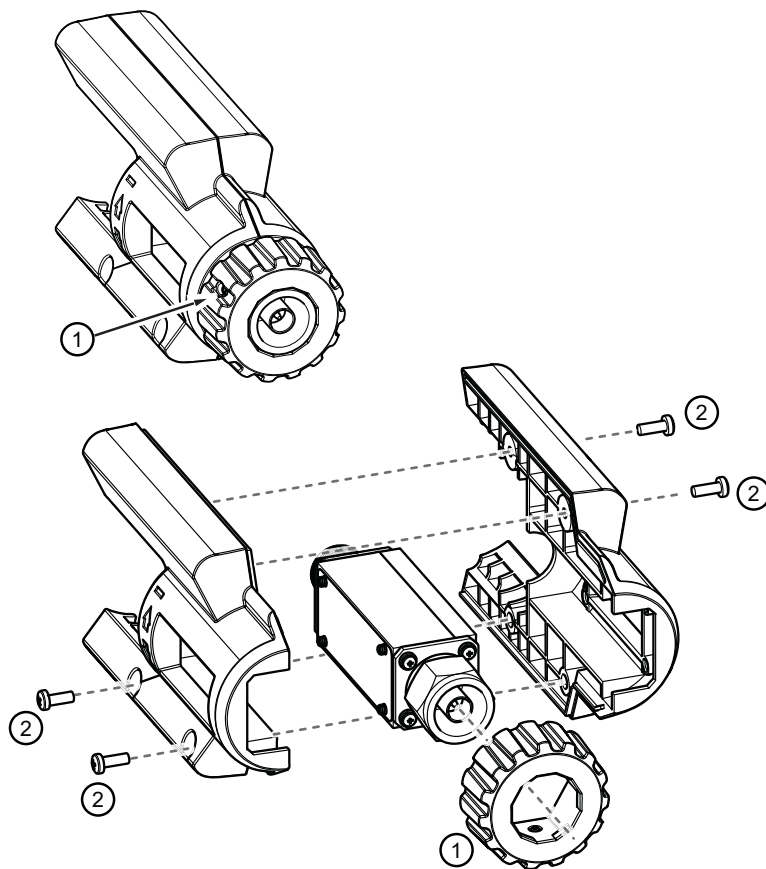


# Bandpass Filter Housing

## For Interference and PIM Hunting Antenna Systems

The 2000-series bandpass filters come pre-installed in a plastic housing. This housing is required when using the filter with the MA2700A InterferenceHunter™. This housing must be removed when using the filter on the RF input to a spectrum analyzer and with the 2000-1884-R PIM Hunter™.

Remove the filter from the housing as shown below:



1. Loosen the set screw using a 0.05 inch hex head wrench and remove the torque multiplier.
2. Remove the 4 Phillips screws and open the housing.

**Anritsu**

# Anritsu



Anritsu prints on recycled paper with vegetable soybean oil ink.

Anritsu Company  
490 Jarvis Drive  
Morgan Hill, CA 95037-2809  
USA  
<http://www.anritsu.com>