

SM5475 RACK MOUNT INSTALLATION PROCEDURE

1. Introduction

This document describes the assembly procedure for fitting an Anritsu ML2430A Power Meter next to an HP 34401A in an instrument rack. The Power Meter must be fitted with rack mount top and bottom covers at the factory. This procedure involves fitting support brackets, two front handles, and a rear support bracket. The two instruments that are bracketed together can then be secured in the rack position desired.

2. Kit Parts List

The kit consists of the parts listed in Table 1.

3. Tools Required

1 ea. Small Phillips screwdriver

1 ea. Large Phillips screwdriver

1 ea. Small Phillips torque screwdriver, 10 cNm to 120 cNm

4. Assembly Procedure

Step 1. Confirm the correct tools are available and the parts listed in Table 1 are present.

Step 2. Secure the two 783-1055 handles to 49336 and ND48579 using four 905-74 screws. Face the rounded corners toward the outside edge of the rack ears (Figure 1).

Step 3. On the right side of the Power Meter, fit the 49339 Center-A bracket at the two front mounting holes using two 905-68 screws and two 900-345 washers. See max torque setting in Table 1.

Step 4. On the right side of the Power Meter, fit the 49341 Rear bracket at the two rear mounting holes using two 905-68 screws and two 900-345 washers. See max torque setting in Table 1.

Table 1. Rack Mount Kit Parts List

Anritsu Part No	Description	Quantity (ea)
783-1055	Plastic pull handle	2
790-319	Clip on speed nut	4
900-345	#4 flat washer	6
900-821	Decorative, gray head screw	4
905-68	3mm X 8mm pan head screw (Torque value 45 cNm [4 lbf.in])	6
905-69	3mm X 6mm flat head screw	2
905-73	3.5mm X 10mm pan head screw	4
905-74	4mm X 10mm flat head screw	8
49336	Rack mount Side-A rack-ear bracket	1
ND48579	Rack mount Side-H rack-ear bracket	1
49338	Rack mount Center-H bracket	1
49339	Rack mount Center-A bracket	1
49340	Rack mount Spacer	2
49341	Rack mount rear bracket	1



- Step 5.** On the left side of the HP unit, align the holes of a 49340 Spacer with the front mount holes. Fit the 49338 Center-H bracket to the same mounting holes ensuring the wider part is toward the front. Secure using two 905-74 screws.
- Step 6.** Slide the Power Meter and HP unit together and secure the rear of the HP unit using four 905-73 screws. Secure the front using two 905-69 screws.
- Step 7.** On the left side of the Power Meter, fit the 49336 Side-A rack ear bracket at the two front mounting holes using two 905-68 screws and two 900-345 washers. See max torque setting in Table 1.

- Step 8.** On the right side of the HP unit, align the holes of a 49340 Spacer with the front rack mount holes. Fit the ND48579 Side-H rack-ear bracket to the same mounting holes. Secure using two 905-74 screws.
- Step 9.** Fit the four 790-319 clip on speed nuts to the rack in the correct place to allow mounting of the completed assembly.
- Step 10.** Slide the completed assembly into the rack and secure with four 900-821 decorative, gray headed screws.

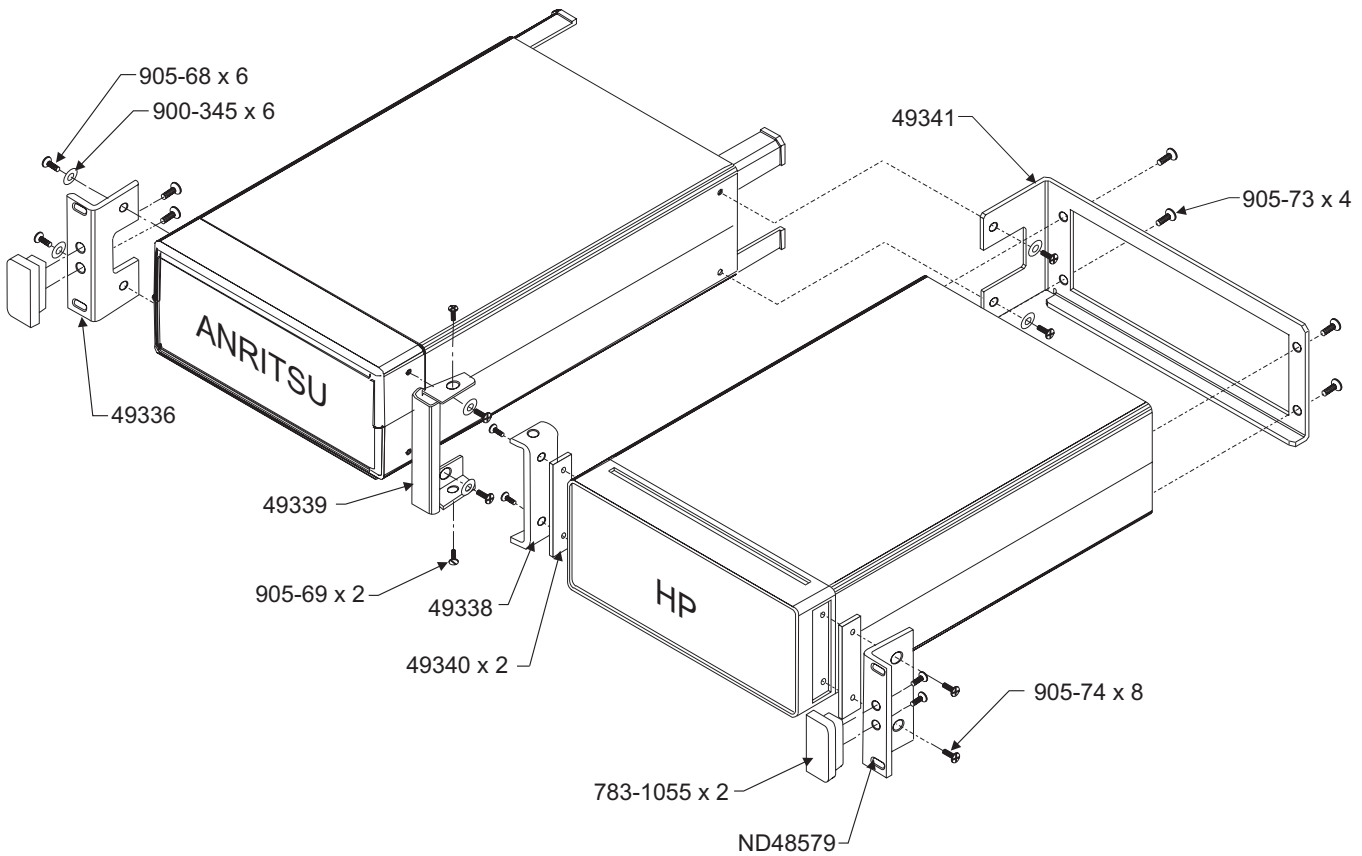


Figure 1. Mounting Rack Assembly