

## Installation Guide

# Rack Mount Accessory

for Anritsu Handheld Instruments

Thick-Case

Thin-Case

Compact-Case



# Anritsu

## **WARRANTY**

The Anritsu product(s) listed on the title page is (are) warranted against defects in materials and workmanship for one year from the date of shipment.

Anritsu's obligation covers repairing or replacing products which prove to be defective during the warranty period. Buyers shall prepay transportation charges for equipment returned to Anritsu for warranty repairs. Obligation is limited to the original purchaser. Anritsu is not liable for consequential damages.

## **LIMITATION OF WARRANTY**

The foregoing warranty does not apply to Anritsu connectors that have failed due to normal wear. Also, the warranty does not apply to defects resulting from improper or inadequate maintenance by the Buyer, unauthorized modification or misuse, or operation outside of the environmental specifications of the product. No other warranty is expressed or implied, and the remedies provided herein are the Buyer's sole and exclusive remedies.

## **DISCLAIMER OF WARRANTY**

DISCLAIMER OF WARRANTIES. TO THE MAXIMUM EXTENT PERMITTED BY APPLICABLE LAW, ANRITSU COMPANY AND ITS SUPPLIERS DISCLAIM ALL WARRANTIES, EITHER EXPRESSED OR IMPLIED, INCLUDING, BUT NOT LIMITED TO, IMPLIED WARRANTIES OF MERCHANTABILITY AND FITNESS FOR A PARTICULAR PURPOSE, WITH REGARD TO THE PRODUCT. THE USER ASSUMES THE ENTIRE RISK OF USING THE PRODUCT. ANY LIABILITY OF PROVIDER OR MANUFACTURER WILL BE LIMITED EXCLUSIVELY TO PRODUCT REPLACEMENT.

NO LIABILITY FOR CONSEQUENTIAL DAMAGES. TO THE MAXIMUM EXTENT PERMITTED BY APPLICABLE LAW, IN NO EVENT SHALL ANRITSU COMPANY OR ITS SUPPLIERS BE LIABLE FOR ANY SPECIAL, INCIDENTAL, INDIRECT, OR CONSEQUENTIAL DAMAGES WHATSOEVER (INCLUDING, WITHOUT LIMITATION, DAMAGES FOR LOSS OF BUSINESS PROFITS, BUSINESS INTERRUPTION, LOSS OF BUSINESS INFORMATION, OR ANY OTHER PECUNIARY LOSS) ARISING OUT OF THE USE OF OR INABILITY TO USE THE PRODUCT, EVEN IF ANRITSU COMPANY HAS BEEN ADVISED OF THE POSSIBILITY OF SUCH DAMAGES. BECAUSE SOME STATES AND JURISDICTIONS DO NOT ALLOW THE EXCLUSION OR LIMITATION OF LIABILITY FOR CONSEQUENTIAL OR INCIDENTAL DAMAGES, THE ABOVE LIMITATION MAY NOT APPLY TO YOU.

## **TRADEMARK ACKNOWLEDGMENTS**

Windows, Windows XP, Microsoft Paint, Microsoft Word, Microsoft Access, Microsoft Excel, Microsoft PowerPoint, and Visual Studio are all registered trademarks of Microsoft Corporation.

Acrobat Reader is a registered trademark of Adobe Corporation.

MATLAB is a registered trademark of The MathWorks Corporation.

NI is a trademark of the National Instruments Corporation.

## **NOTICE**

Anritsu Company has prepared this manual for use by Anritsu Company personnel and customers as a guide for the proper installation, operation and maintenance of Anritsu Company equipment and computer programs. The drawings, specifications, and information contained herein are the property of Anritsu Company, and any unauthorized use or disclosure of these drawings, specifications, and information is prohibited; they shall not be reproduced, copied, or used in whole or in part as the basis for manufacture or sale of the equipment or software programs without the prior written consent of Anritsu Company.

## **UPDATES**

Updates, if any, can be downloaded from the Documents area of the Anritsu Website at:  
<http://www.anritsu.com>

For the latest service and sales contact information in your area, please visit:  
<http://www.anritsu.com/contact.asp>

## **Notes On Export Management**

This product and its manuals may require an Export License or approval by the government of the product country of origin for re-export from your country.

Before you export this product or any of its manuals, please contact Anritsu Company to confirm whether or not these items are export-controlled.

When disposing of export-controlled items, the products and manuals need to be broken or shredded to such a degree that they cannot be unlawfully used for military purposes.

## **Mercury Notification**

This product contains no mercury.

## **Restriction of Hazardous Substances (RoHS) Directive**

This product is fully RoHS compliant.



Equipment marked with the Crossed-out Wheelie Bin symbol complies with the European Parliament and Council Directive 2002/96/EC (the "WEEE Directive") in the European Union.



For Products placed on the EU market after August 13, 2005, please contact your local Anritsu representative at the end of the product's useful life to arrange disposal in accordance with your initial contract and the local law.

# Chapter 1 — Installation

## 1-1 Introduction

This document provides instructions for mounting Anritsu handheld instruments into the Anritsu Rack Mount Accessory, part number 66864.

With the brackets and spacer that are included in this rack mount accessory, it can hold all of the currently-produced Anritsu handheld instruments.

## 1-2 Instrument Mounting Dimensions

**Table 1-1.** Mounting Dimensions

Instrument Case Type	Case Depth
Thick	9.5 cm
Thin	8 cm
Compact	9.1 cm

## 1-3 Part Numbers

The Rack Mount Accessory, Anritsu part number 66864, includes three parts, which are: the Main Bracket (A), the Thin-Case Spacer (B), and the Compact-Case Bracket (C).

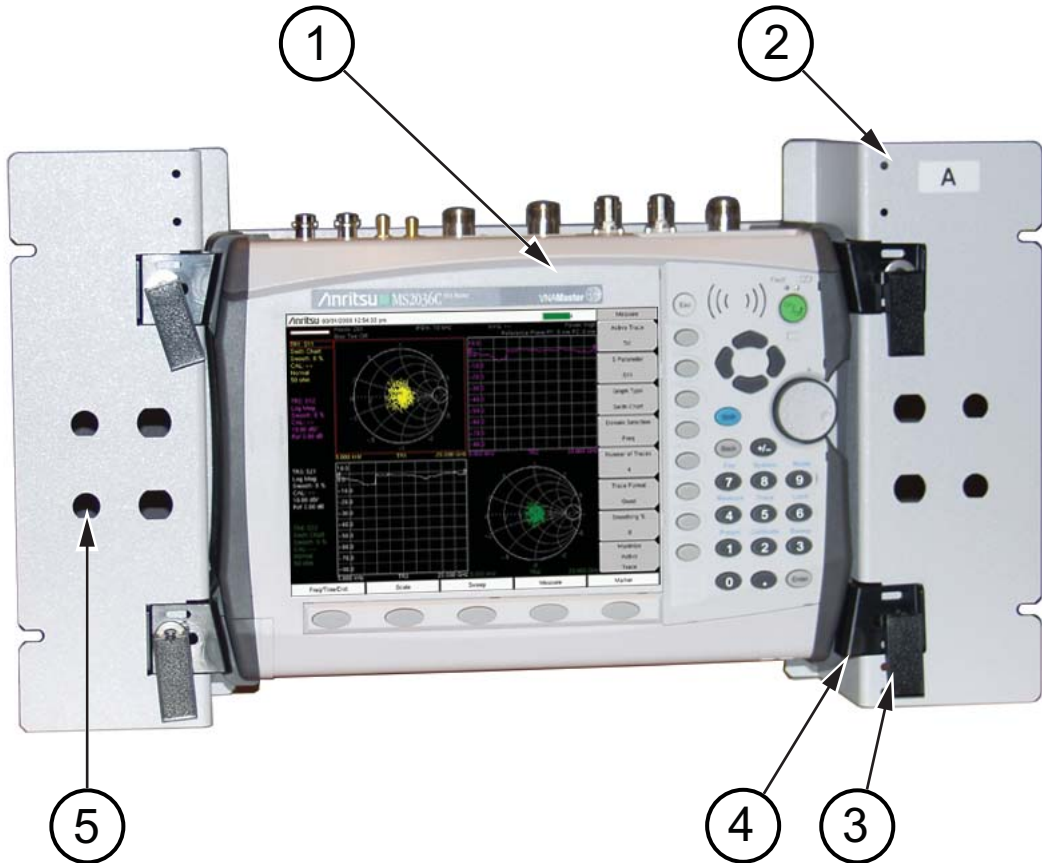
**Table 1-2.** Anritsu Part Numbers for Rack Mount Accessory

Part Number	Description	Label
66864	Assembly: NEXTGEN 76mm RCKMNT ASSY	
3-67748	Bracket: NEXTGEN 76mm RCKMNT BRKT	A
3-67749	Spacer: NEXTGEN 76mm RCKMNT SPCR	B
3-73379	Bracket: NEXTGEN CMPCT-CASE BRKT	C
10580-00338	Document: This Installation Guide	

## 1-4 Rack Mount Accessory Overview

Anritsu handheld instruments are held in place in the Rack Mount Accessory by 4 plastic latching brackets, which are held tight against the instrument bumpers or against the Compact-Case Bracket for Compact-Case instruments (9.1 cm thick).

The latching bracket tension is designed to prevent the latching brackets from sliding sideways, away from the instrument bumpers or from the Compact-Case Bracket (C). Test the mounted instrument to be sure that mounting tension meets your specifications.



**Figure 1-1.** Handheld Instrument Mounted in Rack

1.	Sample thick-case instrument (MS208C VNA Master) mounted in rack assembly
2.	Main Bracket for thick-case instruments (9.5 cm)
3.	Latch Handle (one of four)
4.	Plastic Bracket held tight by Latch Handle (one of four)
5.	Mounting Holes for additional connectors (refer to <a href="#">Step 7 on page 1-4</a> )

## Notes

## 1-5 Thick-Case Instrument (9.5 cm)

### Mounting instructions for thick-case instruments:

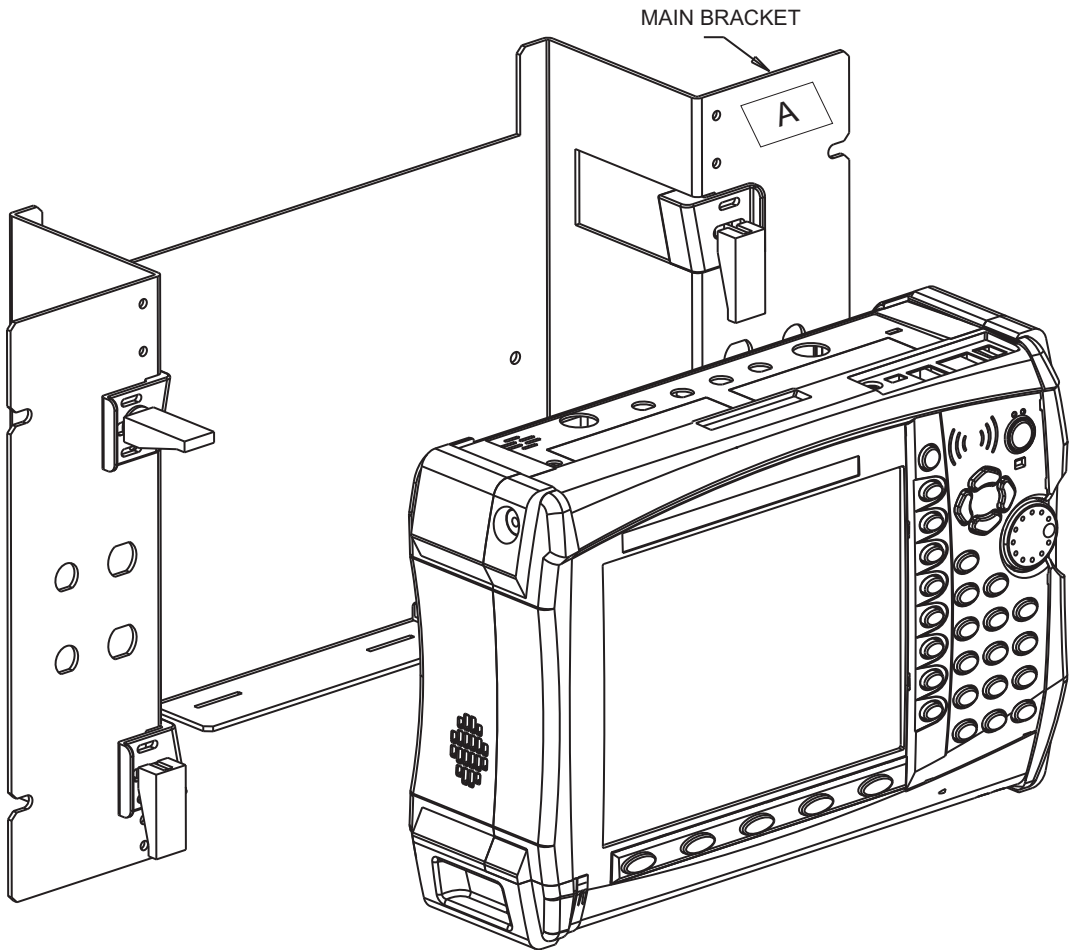
Rack Mount Components	Sticker Label
1. Main Bracket with 4 Latches and 4 Brackets	A
2. Thin-Case Spacer	B
3. Compact-Case Bracket	C

1. Remove 2 screws (with straight-blade screw driver) from the carrying handle of your instrument and save handle for future use.
2. Save Compact-Case Bracket (C) (refer to [Figure 1-6 on page 1-9](#)) for future use.
3. Loosen the 2 thumb screws that hold Thin-Case Spacer (B) (refer to [Figure 1-4 on page 1-7](#)) to Main Bracket (A).
4. Slide up Thin-Case Spacer (B), remove, and save for future use.
5. Loosen the 4 latching brackets on the rack (refer to [Figure 1-2](#)) by lifting up the latch handles.<sup>1</sup>
6. Push the left and right plastic latching brackets away from center.
7. Mount additional connectors (if needed) in the holes provided in Main Bracket (A).  
**Note:** 4 large holes for Amphenol N and 4 small holes for Amphenol BNC.
8. Put instrument into Main Bracket (A), pushing against the back and resting on ledge of Main Bracket (A).
9. Position the 4 plastic latching brackets onto the case of the instrument. Push upward on the plastic of each latching bracket from the back side of the Main Bracket (A) in order to slide the latching bracket over the instrument bumper.
10. Push down the 4 latch handles to secure your instrument.<sup>1</sup>
11. Mount Main Bracket (A) and attached instrument onto 19-inch rack.

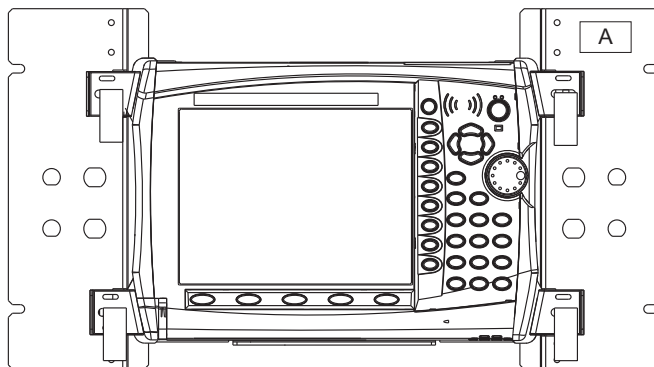
---

1. To adjust latching bracket tension, pull handles up to loosen latching bracket, and then tighten or loosen by adjusting the hex screw on the back side of each latching bracket. This tension is designed to prevent the latching brackets from sliding sideways, away from the instrument bumpers. Test the mounted instrument to be sure that mounting tension meets your specifications.





**Figure 1-2.** Thick-Case Rack Mount with Instrument



**Figure 1-3.** Instrument Mounted in Thick-Case Rack

## 1-6 Thin-Case Instrument (8 cm)

### Mounting instructions for thin-case instruments:

Rack Mount Components	Sticker Label
1. Main Bracket with 4 Latches and 4 Brackets	A
2. Thin-Case Spacer	B
3. Compact-Case Bracket	C

1. Remove 2 screws (with straight-blade screw driver) from the carrying handle of your instrument and save handle for future use.
2. Save Compact-Case Bracket (C) (refer to [Figure 1-6](#)) for future use.
3. Ensure that Thin-Case Spacer (B) is resting on ledge of Main Bracket (A).
4. Ensure the tightness of the thumb screws that hold Thin-Case Spacer (B) to Main Bracket (A). Refer to [Figure 1-4](#).
5. Loosen the 4 latching brackets by lifting up the latch handles.<sup>1</sup>
6. Push the left and right plastic latching brackets away from center.
7. Mount additional connectors (if needed) in the holes provided in Main Bracket (A).  
**Note:** 4 large holes for Amphenol N and 4 small holes for Amphenol BNC.
8. Put instrument into Main Bracket (A), pushing the back against Thin-Case Spacer (B) and resting the instrument on ledge of Main Bracket (A).
9. Position the 4 plastic latching brackets onto the case of the instrument. Push upward on the plastic of each latching bracket from the back side of the Main Bracket (A) in order to slide the latching bracket over the instrument bumper.
10. Push down the 4 latch handles to secure your instrument.<sup>1</sup>
11. Mount Main Bracket (A) and attached instrument onto 19-inch rack.

---

1. To adjust latching bracket tension, pull handles up to loosen latching bracket, and then tighten or loosen by adjusting the hex screw on the back side of each latching bracket. This tension is designed to prevent the latching brackets from sliding sideways, away from the instrument bumpers. Test the mounted instrument to be sure that mounting tension meets your specifications.

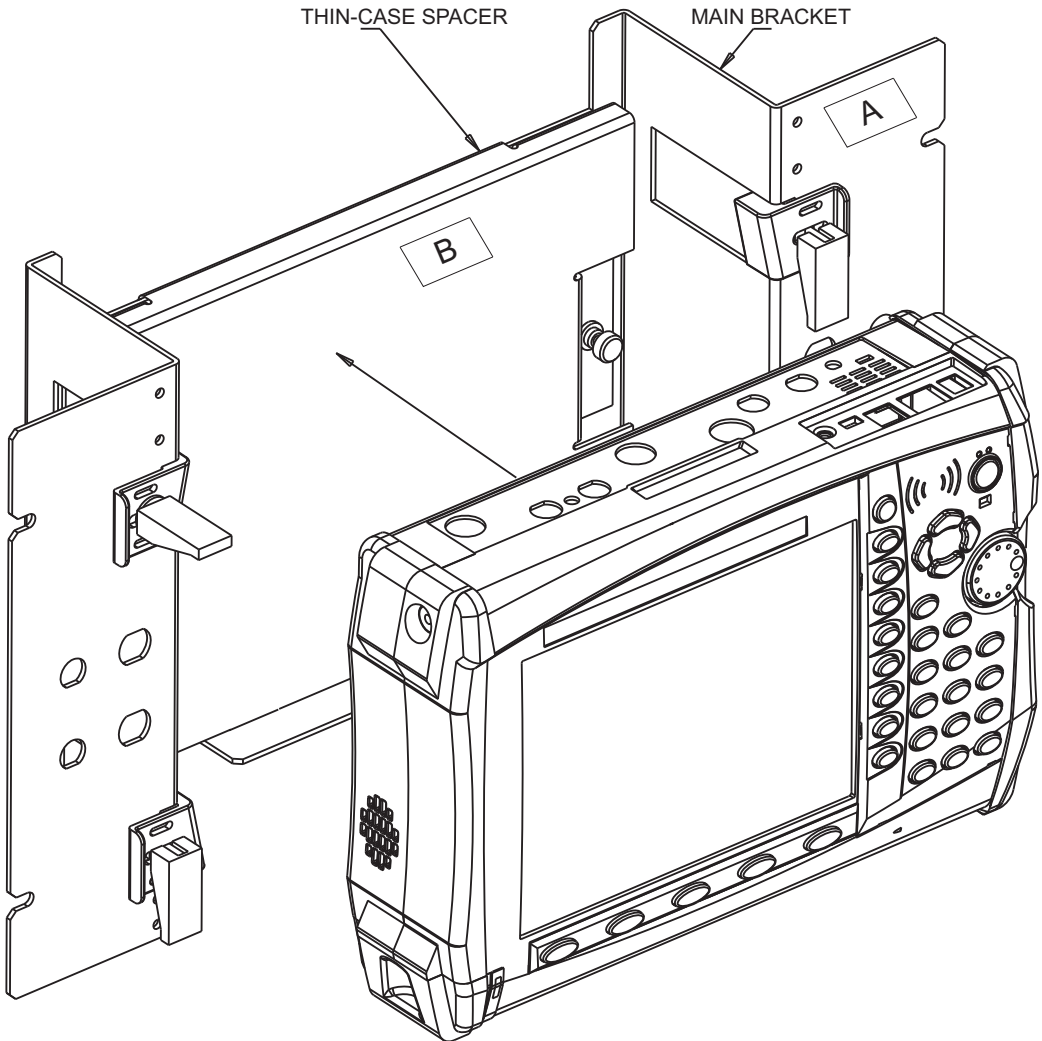


Figure 1-4. Thin-Case Rack Mount with Instrument

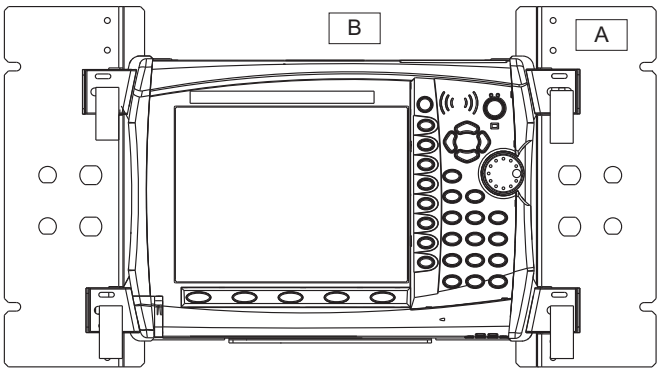


Figure 1-5. Instrument Mounted in Thin-Case Rack

## 1-7 Compact-Case Instrument (9.1 cm)

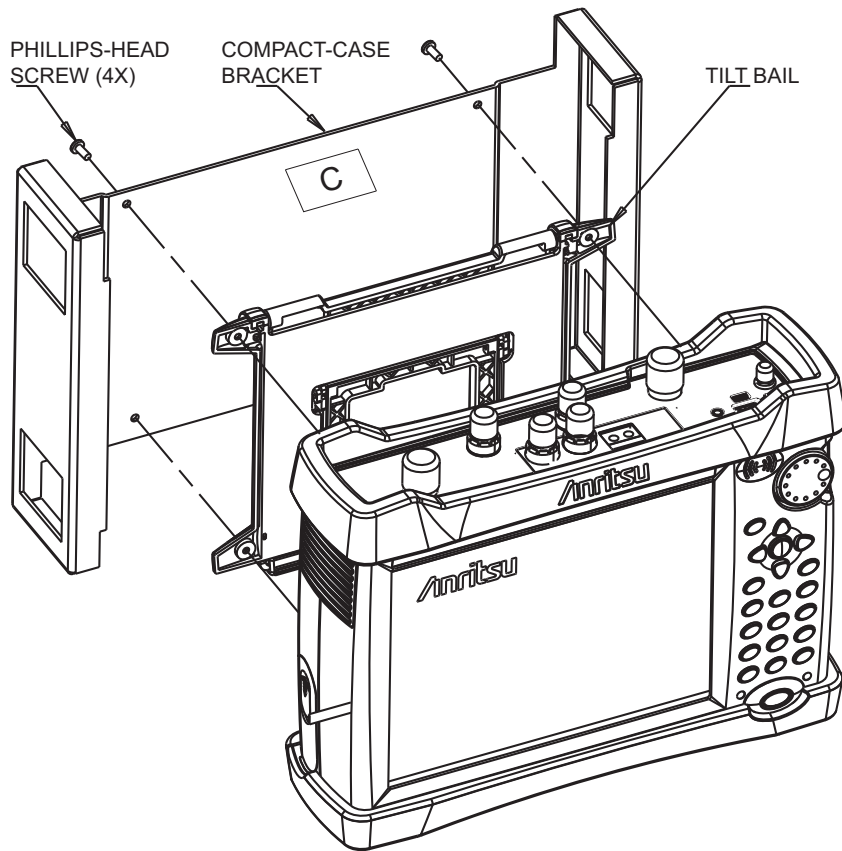
### Mounting instructions for compact-case instruments:

Rack Mount Components	Sticker Label
1. Main Bracket with 4 Latches and 4 Brackets	A
2. Thin-Case Spacer	B
3. Compact-Case Bracket	C

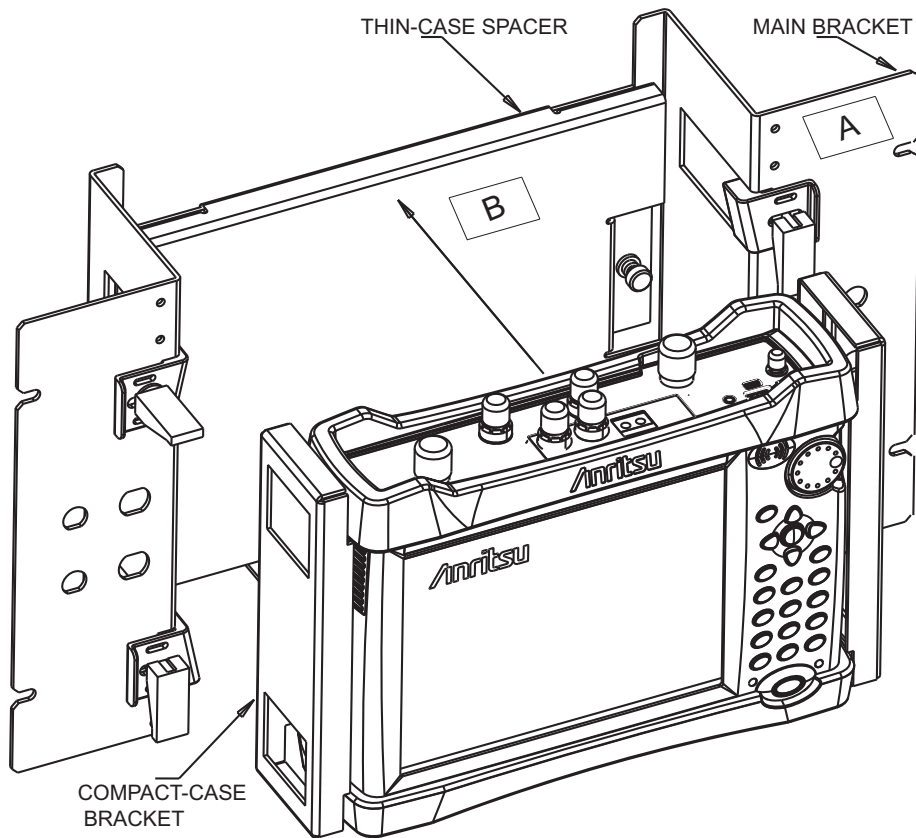
1. Remove the 4 screws from instrument tilt bail (using a Phillips-head screw driver) and keep the screws for [Step 3](#).
2. Detach tilt bail from instrument and save tilt bail for future use.
3. Secure your instrument to the Compact-Case Bracket (C) with the 4 screws removed from the tilt bail in [Step 1](#). Refer to [Figure 1-6 on page 1-9](#).
4. Ensure that Thin-Case Spacer (B) is resting on the ledge of Main Bracket (A).
5. Ensure the tightness of the thumb screws that hold Thin-Case Spacer (B) to Main Bracket (A). Refer to [Figure 1-7 on page 1-10](#).
6. Loosen the 4 latching brackets by lifting up the latch handles.<sup>1</sup>
7. Push the left and right plastic latching brackets away from center.
8. Mount additional connectors (if needed) in the holes provided in Main Bracket (A).  
**Note:** 4 large holes for Amphenol N and 4 small holes for Amphenol BNC.
9. Put instrument and attached Compact-Case Bracket (C) into Main Bracket (A), pushing against the Thin-Case Spacer (B) and resting on the ledge of Main Bracket (A).
10. Position the 4 plastic latching brackets onto the Compact-Case Bracket (C). Push upward on the plastic of each latching bracket from the back side of the Main Bracket (A) if necessary in order to slide the latching bracket over the Compact-Case Bracket (C).
11. Push down the 4 latch handles to secure your instrument.<sup>1</sup>
12. Mount Main Bracket (A) with Thin-Case Spacer (B), Compact-Case Bracket (C), and attached instrument onto 19-inch rack.

---

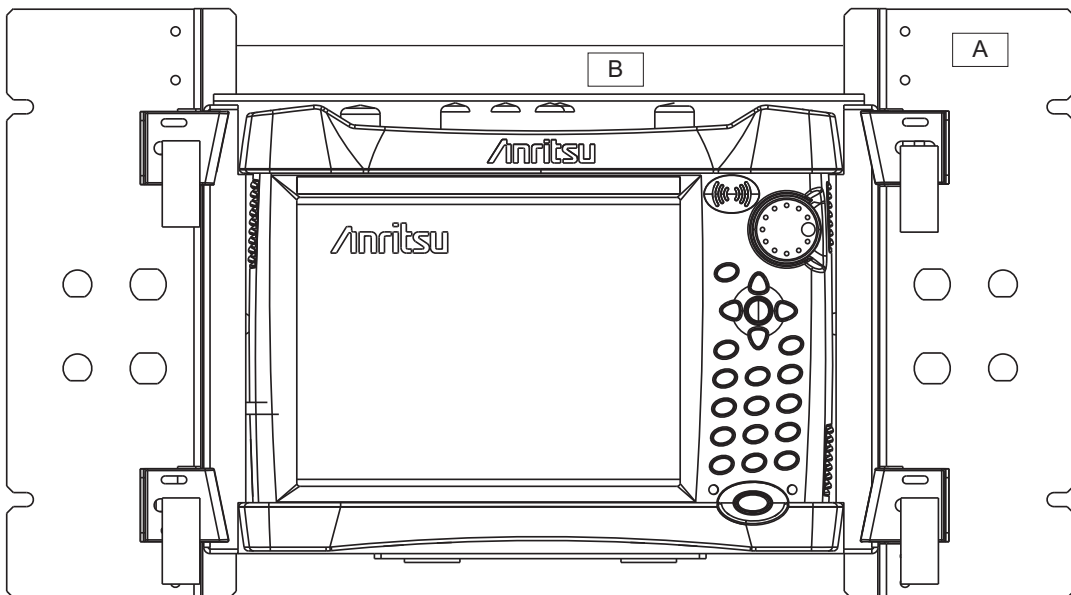
1. To adjust latching bracket tension, pull handles up to loosen latching bracket, and then tighten or loosen by adjusting the hex screw on the back side of each latching bracket. This tension is designed to prevent the latching brackets from sliding sideways, away from the Compact-Case Bracket (C). Test the mounted instrument to be sure that mounting tension meets your specifications.



**Figure 1-6.** Compact-Case Rack Mount — Preparing the Instrument



**Figure 1-7.** Compact-Case Rack Mount — Mounting the Instrument



**Figure 1-8.** Instrument Mounted in Compact-Case Rack



# Anritsu

---



Anritsu prints on recycled paper with vegetable soybean oil ink.

20110622

Anritsu Company  
490 Jarvis Drive  
Morgan Hill, CA 95037-2809  
USA

<http://www.anritsu.com>