

PRODUCT INTRODUCTION

MA8120C
SHIELD BOX

ANRITSU CORPORATION

Copyright © 2005 by ANRITSU CORPORATION

The contents of this manual shall not be disclosed in any way or reproduced in any media without the express written permission of Anritsu Corporation.

MA8120C SHIELD BOX

Product Introduction



Version 1.00

Anritsu Corporation
Wireless Measurement Div.

Discover What's Possible™
MA8120C-E-I-1

Slide 1

Anritsu

Table of Contents

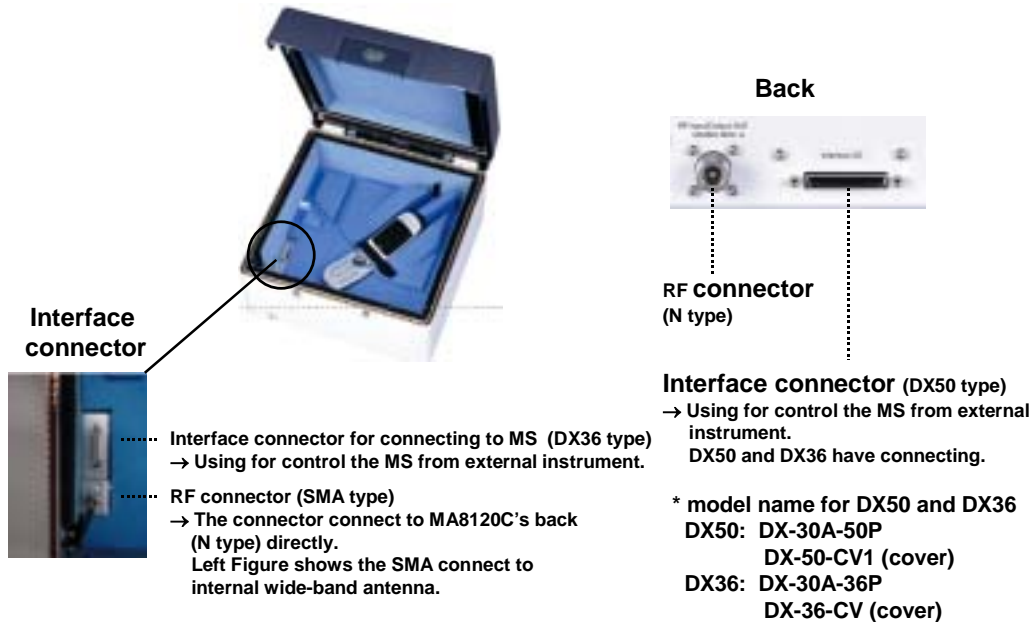
1. Outline of MA8120C
2. Product Feature
3. Accessories
4. Main Specifications

Discover What's Possible™
MA8120C-E-I-1

Slide 2

Anritsu

1. Outline of MA8120C



Discover What's Possible™
MA8120C-E-I-1

Slide 3

Anritsu

2. Product Feature(1)

•MA8120C have the internal wide-band antenna that is supporting 800 to 2500MHz.

→ It is useful for testing a UE complying with W-DMA/GSM/GPRS/EGPRS/PDC/PHS/cdma2000[®], Bluetooth and WLAN terminal etc.

cdma2000[®] is a registered trademark of the Telecommunications Industry Association (TIA – USA).



Built-in antenna

Discover What's Possible™
MA8120C-E-I-1

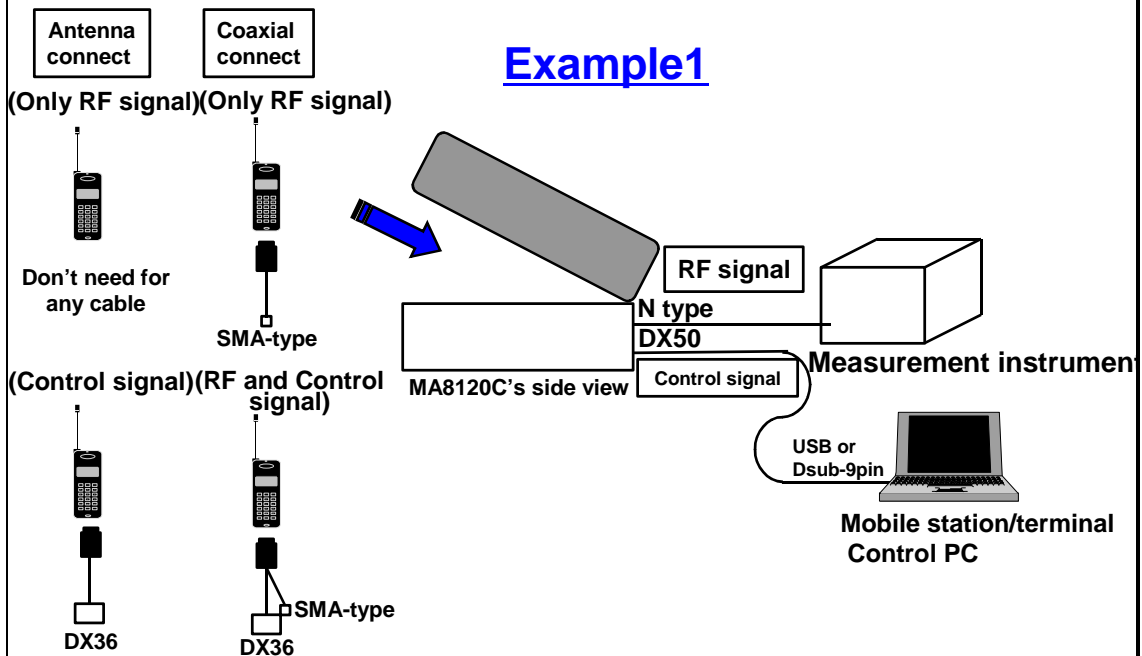
Slide 4

Anritsu

2. Product Feature(2)

- Both air and coaxial connection between mobile stations and MA8120C are available.
- External instrument can control internal setting mobile station via interface connector.

3. Accessories(1)



3. Accessories (2)

Example2

(Use for MT8510B and MA8120C)



J1150D COAXIAL Code (N-P.N-P)



Connect with coaxial cable between External Measurement instrument and MA8120C



J1266A CONTROL I/F CABLE (DX50.DX50)



Connect with control interface cable between MT8510B*1 and MA8120C

*1: MT8510B is another good for sales.

4. Main Specifications

MA8120C SHIELD BOX

Item		Specifications	comment
Operating frequency range		0.8 to 2.5 GHz	
Shield performance		≥60 dB	
Antenna coupling amount		≥-25dB	
Interface	RF	Nominal 50 ohm(N-type connector)	external
		Nominal 50 ohm(SMA-type connector)	Internal
	External Control	50-pin connector	external
		36-pin connector	Internal
Dimensions and weights		Within 330.8 (W) X 393 (D) X 181 (H) mm (excluding protrusion) 7 kg or less	

Anritsu

Specifications are subject to change without notice.

ANRITSU CORPORATION

1800 Onna, Atsugi-shi, Kanagawa, 243-8555 Japan
Phone: +81-46-223-1111
Fax: +81-46-296-1264

● U.S.A.

ANRITSU COMPANY

TX OFFICE SALES AND SERVICE

1155 East Collins Blvd., Richardson, TX 75081, U.S.A.
Toll Free: 1-800-ANRITSU (267-4878)
Phone: +1-972-644-1777
Fax: +1-972-644-3416

● Canada

ANRITSU ELECTRONICS LTD.

700 Silver Seven Road, Suite 120, Kanata,
ON K2V 1C3, Canada
Phone: +1-613-591-2003
Fax: +1-613-591-1006

● Brasil

ANRITSU ELETRÔNICA LTDA.

Praca Amadeu Amaral, 27 - 1 andar
01327-010 - Paraiso, Sao Paulo, Brazil
Phone: +55-11-3283-2511
Fax: +55-11-3886940

● U.K.

ANRITSU LTD.

200 Capability Green, Luton, Bedfordshire LU1 3LU, U.K.
Phone: +44-1582-433280
Fax: +44-1582-731303

● Germany

ANRITSU GmbH

Grafenberger Allee 54-56, 40237 Düsseldorf, Germany
Phone: +49-211-96855-0
Fax: +49-211-96855-55

● France

ANRITSU S.A.

9, Avenue du Québec Z.A. de Courtabœuf 91951 Les
Ulis Cedex, France
Phone: +33-1-60-92-15-50
Fax: +33-1-64-46-10-65

● Italy

ANRITSU S.p.A.

Via Elio Vittorini, 129, 00144 Roma EUR, Italy
Phone: +39-06-509-9711
Fax: +39-06-502-2425

● Sweden

ANRITSU AB

Borgafjordsgatan 13 164 40 Kista, Sweden
Phone: +46-853470700
Fax: +46-853470730

● Denmark

Anritsu AB Danmark

Korskildelund 6 DK - 2670 Greve, Denmark
Phone: +45-36915035
Fax: +45-43909371

● Singapore

ANRITSU PTE LTD.

10, Hoe Chiang Road #07-01/02, Keppel Towers,
Singapore 089315
Phone: +65-6282-2400
Fax: +65-6282-2533

● Hong Kong

ANRITSU COMPANY LTD.

Suite 923, 9/F., Chinachem Golden Plaza, 77 Mody
Road, Tsimshatsui East, Kowloon, Hong Kong, China
Phone: +852-2301-4980
Fax: +852-2301-3545

● P. R. China

ANRITSU COMPANY LTD.

Beijing Representative Office

Room 1515, Beijing Fortune Building, No. 5 North
Road, the East 3rd Ring Road, Chao-Yang District
Beijing 100004, P.R. China
Phone: +86-10-6590-9230

● Korea

ANRITSU CORPORATION

8F Hyun Juk Bldg. 832-41, Yeoksam-dong,
Kangnam-ku, Seoul, 135-080, Korea
Phone: +82-2-553-6603
Fax: +82-2-553-6604

● Australia

ANRITSU PTY LTD.

Unit 3/170 Forster Road Mt. Waverley, Victoria, 3149,
Australia
Phone: +61-3-9558-8177
Fax: +61-3-9558-8255

● Taiwan

ANRITSU COMPANY INC.

7F, No. 316, Sec. 1, NeiHu Rd., Taipei, Taiwan
Phone: +886-2-8751-1816
Fax: +886-2-8751-1817

050114