

PRODUCT INTRODUCTION

MD8480B

W-CDMA Signalling Tester

MX848001A/41A-03

Router Connection

ANRITSU CORPORATION

Copyright © 2004 by ANRITSU CORPORATION

The contents of this manual shall not be disclosed in any way or reproduced in any media without the express written permission of Anritsu Corporation.

MD8480A/B W-CDMA Signalling Tester MX848001A/41A-03 Router Connection Product Introduction



Anritsu Corp.
Measurement Business Center
Wireless Measurement Division
Product Marketing Department
Ver 1.0

Discover What's Possible™
MX848001A/41A-03-E-I-1

Slide 1

Anritsu

General

Current version of MD8480A/B can support the packet communication between the PCs those are same sub-net(segment). (Figure2-1) Because LAN interface of the current version of MD8480A/B doesn't have the 'sub net mask' and the 'default gateway'. That is why the current version of MD8480A/B can't support the packet communication between PCs those are not same sub-net(segment) by way of the router. (IP address and sub net mask in the Figure2-1 is the one of the example. You can set any address in the scenario.)

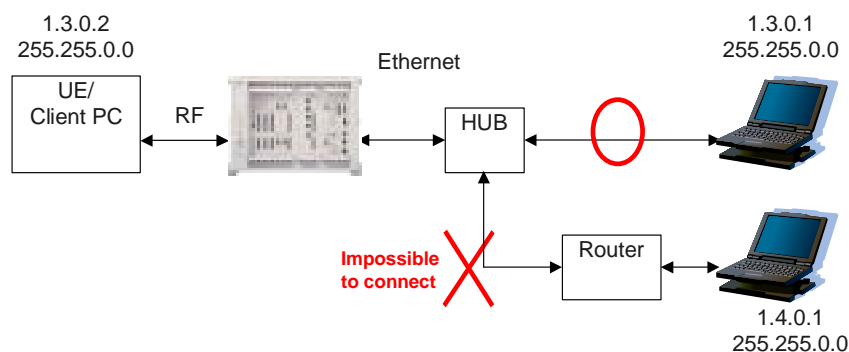


Figure2-1: Packet communication in the current MD8480A/B

Discover What's Possible™
MX848001A/41A-03-E-I-1

Slide 2

Anritsu

Router Connection software option

The LAN interface of the MD8480A/B can support the 'Sub net mask' and 'default gateway' by installing this software option(MX848001A/41A-03). So by installing this software option, MD8480A/B can support the packet communication between PCs those are not same sub-net(segment) by way of the router. (Figure2-2) This function is for both W-CDMA and GPRS, and this function is for both PPP and IP packet communication. (IP address and sub net mask in the Figure2-1 is the one of the example. You can set any address in the scenario.)

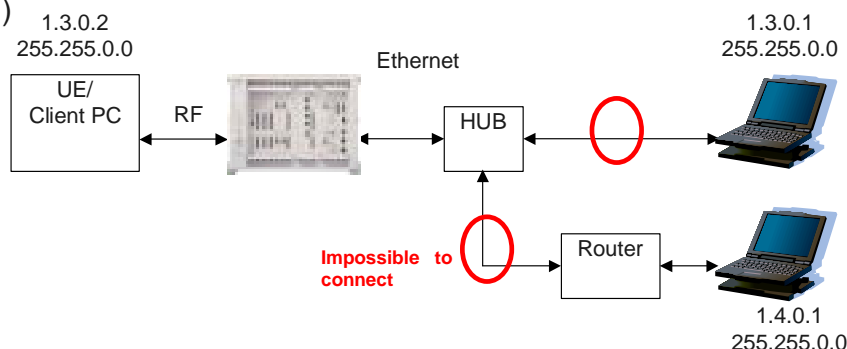


Figure2-2: Packet communication with Router Connection software option

Discover What's Possible™

MX848001A/41A-03-E-I-1

Slide 3

Anritsu

Model Name / Product Name

- MX848001A-03 : Router Connection (with MX848041A)
- MX848041A-03 : Router Connection for Ciphering (with MX848041A)

Required Models for this software option

==W-CDMA==

MD8480B : W-CDMA Signalling Tester

MD8480A/B-20/21 : MD8480 Support Service

MX848001A/41A-03 : Router Connection

==GPRS==

MD8480B : W-CDMA Signalling Tester

MU848060B : TDMA

MD8480A/B-02 : Additional RF Unit
(MD8480A-02;For MD8480A, MD8480B-02;For MD8480B)

MD8480A/B-20/21 : MD8480 Support Service

MX848001A/41A-03 : Router Connection

*Applications and precautions on this additional function

This software option realizes the connection to LAN environment, etc. (Also, it is able to access Internet environment via in-house LAN.) On the other hand, although this function is of course tested by Anritsu, this does not completely assure that there is no negative effect to the server PC connected to MD8480A/B, LAN and Internet environments. Anritsu assumes no responsibility whatsoever for any negative effects to the server PC, LAN and Internet environments resulting from the use of this function.

Discover What's Possible™

MX848001A/41A-03-E-I-1

Slide 4

Anritsu



Specifications are subject to change without notice.

ANRITSU CORPORATION

1800 Onna, Atsugi-shi, Kanagawa, 243-8555 Japan
Phone: +81-46-223-1111
Fax: +81-46-296-1264

● U.S.A.

ANRITSU COMPANY TX OFFICE SALES AND SERVICE

1155 East Collins Blvd., Richardson, TX 75081, U.S.A.
Toll Free: 1-800-ANRITSU (267-4878)
Phone: +1-972-644-1777
Fax: +1-972-644-3416

● Canada

ANRITSU ELECTRONICS LTD.
700 Silver Seven Road, Suite 120, Kanata,
ON K2V 1C3, Canada
Phone: +1-613-591-2003
Fax: +1-613-591-1006

● Brasil

ANRITSU ELETRÔNICA LTDA.
Praca Amadeu Amaral, 27 - 1 andar
01327-010 - Paraiso, Sao Paulo, Brazil
Phone: +55-11-3283-2511
Fax: +55-11-3886940

● U.K.

ANRITSU LTD.

200 Capability Green, Luton, Bedfordshire LU1 3LU, U.K.
Phone: +44-1582-433280
Fax: +44-1582-731303

● Germany

ANRITSU GmbH

Grafenberger Allee 54-56, 40237 Düsseldorf, Germany
Phone: +49-211-96855-0
Fax: +49-211-96855-55

● France

ANRITSU S.A.

9, Avenue du Québec Z.A. de Courtabœuf 91951 Les
Ulis Cedex, France
Phone: +33-1-60-92-15-50
Fax: +33-1-64-46-10-65

● Italy

ANRITSU S.p.A.

Via Elio Vittorini, 129, 00144 Roma EUR, Italy
Phone: +39-06-509-9711
Fax: +39-06-502-2425

● Sweden

ANRITSU AB

Borgafjordsgatan 13 164 40 Kista, Sweden
Phone: +46-853470700
Fax: +46-853470730

● Singapore

ANRITSU PTE LTD.

10, Hoe Chiang Road #07-01/02, Keppel Towers,
Singapore 089315
Phone: +65-6282-2400
Fax: +65-6282-2533

● Hong Kong

ANRITSU COMPANY LTD.

Suite 923, 9/F., Chinachem Golden Plaza, 77 Mody
Road, Tsimshatsui East, Kowloon, Hong Kong, China
Phone: +852-2301-4980
Fax: +852-2301-3545

● P. R. China

ANRITSU COMPANY LTD.

Beijing Representative Office

Room 1515, Beijing Fortune Building, No. 5 North
Road, the East 3rd Ring Road, Chao-Yang District
Beijing 100004, P.R. China
Phone: +86-10-6590-9230

● Korea

ANRITSU CORPORATION

8F Hyun Juk Bldg. 832-41, Yeoksam-dong,
Kangnam-ku, Seoul, 135-080, Korea
Phone: +82-2-553-6603
Fax: +82-2-553-6604

● Australia

ANRITSU PTY LTD.

Unit 3/170 Forster Road Mt. Waverley, Victoria, 3149,
Australia
Phone: +61-3-9558-8177
Fax: +61-3-9558-8255

● Taiwan

ANRITSU COMPANY INC.

7F, No. 316, Sec. 1, NeiHu Rd., Taipei, Taiwan
Phone: +886-2-8751-1816
Fax: +886-2-8751-1817

040602